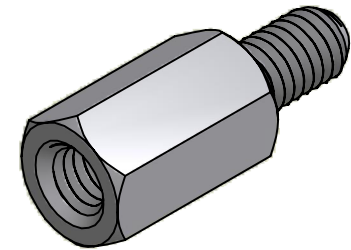
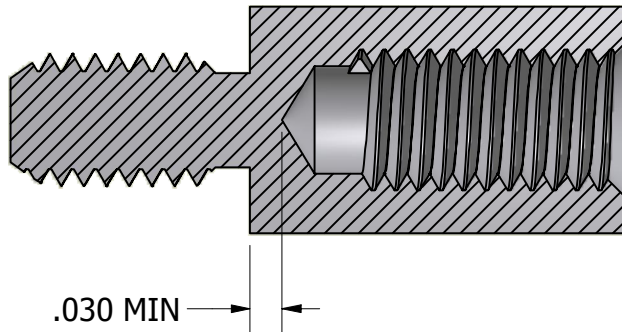
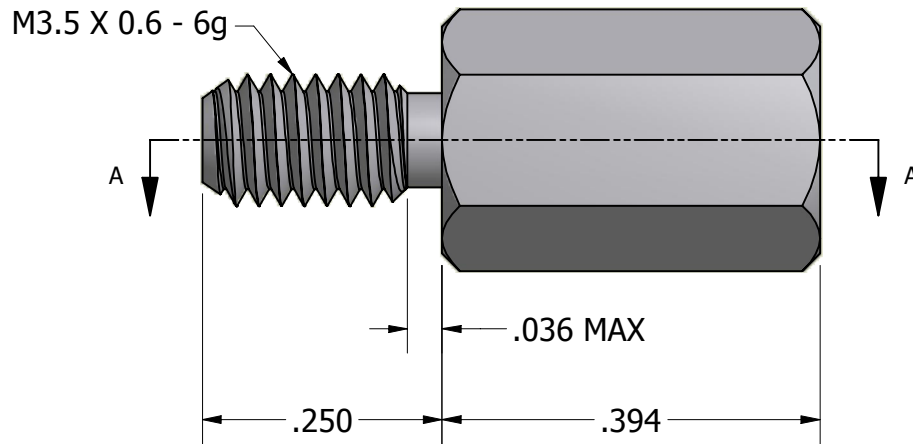


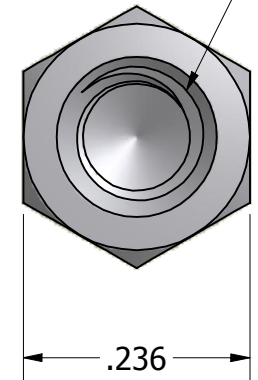
SECTION A-A



ISO SCALE 3 : 1



M3.5 X 0.6 - 6H
 ∇ .280 MIN



Tolerances Unless Otherwise Specified:

.xx Decimal: $\pm .02$
.xxx Decimal: $\pm .005$
Fraction: $\pm 1/64$
Angle: $\pm 2^\circ$

LYN-TRON, INC.

Part Number:

SS5173-10.0

Description:

6mm Hex MAle-Female Standoff

Drawn By:

Rick Z

12/19/2011

Gauge:

STD

Material:

Stainless Steel 303

Scale:

5:1