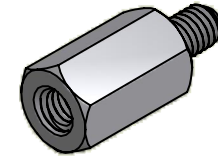
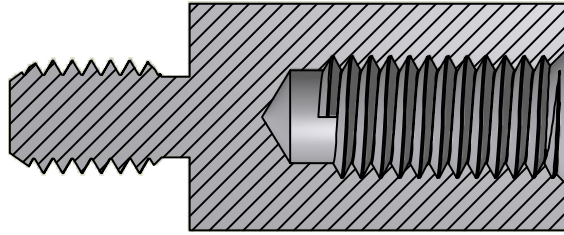
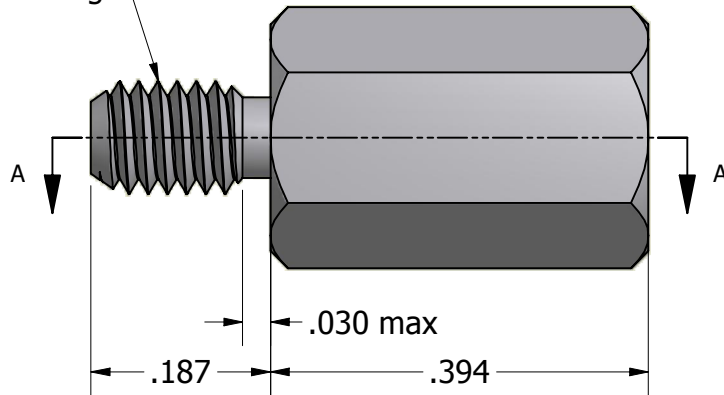


SECTION A-A

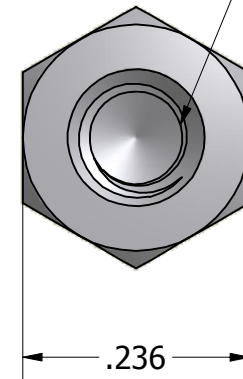


ISO SCALE 2 : 1

M3.0 x 0.5-6g



M3.0 x 0.5-6H  
x .250 min



Tolerances Unless Otherwise Specified:

**.xx Decimal:** ± .02  
**.xxx Decimal:** ± .005  
**Fraction:** ± 1/64  
**Angle:** ± 2°

**LYN-TRON, INC.**

Part Number:

**SS5172-10.0**

Description:

**6mm Hex Male-Female Standoff**

Drawn By:

**kenang**

**10/29/2010**

Gauge:

**STD**

Material:

**Stainless Steel**

Scale:

**5:1**