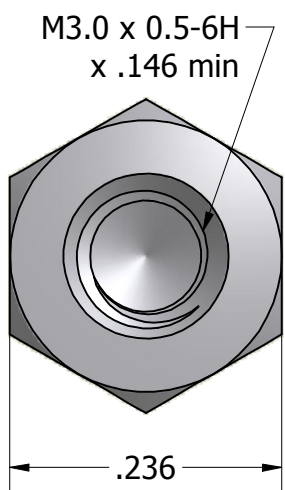
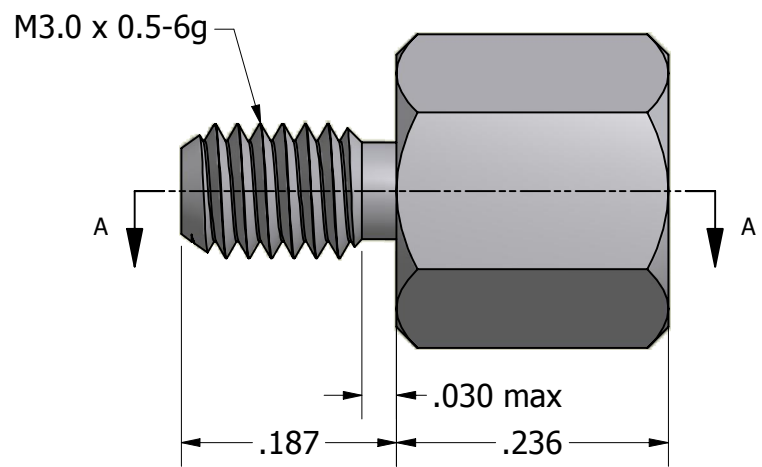


ISO SCALE 3 : 1



Tolerances Unless Otherwise Specified:			
.xx Decimal:	± .02		
.xxx Decimal:	± .005	Part Number:	
Fraction:	± 1/64	SS5172-06.0	
Angle:	± 2°	Description:	
		6mm Hex Male-Female Standoff	
Drawn By:	Gauge:	Material:	Scale:
kenang	11/10/2010	STD	Stainless Steel
			6:1