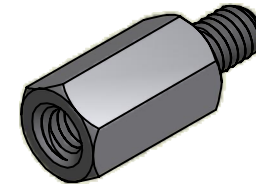
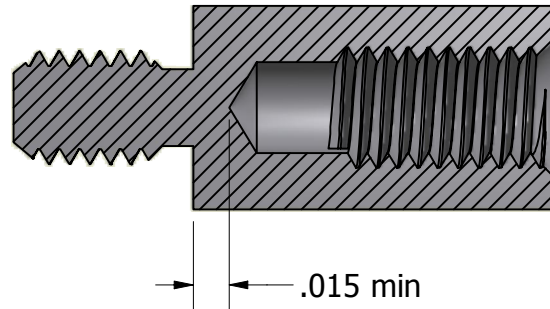
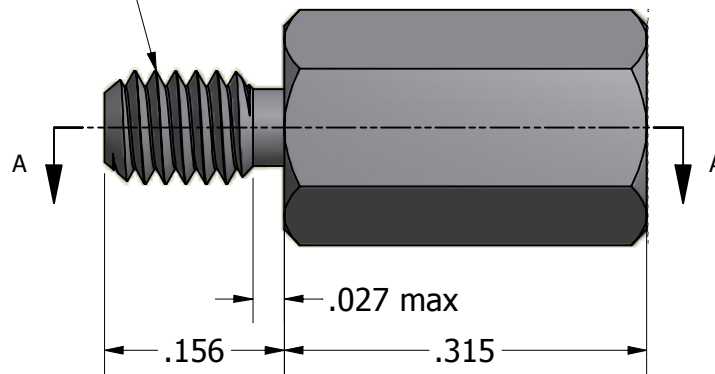


SECTION A-A

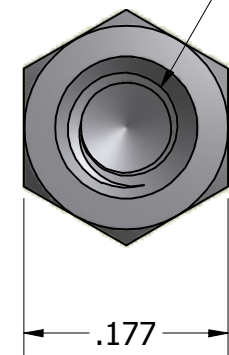


ISO SCALE 3 : 1

M2.5 x 0.45-6g



M2.5 x 0.45-6H  
x .189 min



Tolerances Unless Otherwise Specified:

**.xx Decimal:** ± .02  
**.xxx Decimal:** ± .005  
**Fraction:** ± 1/64  
**Angle:** ± 2°

**LYN-TRON, INC.**

Part Number:

**SS5170-08.0**

Description:

**4.5mm Hex Male-Female Standoff**

Drawn By:

**KenanG 7/11/2011**

Gauge:

**STD**

Material:

**Stainless Steel**

Scale:

**6:1**