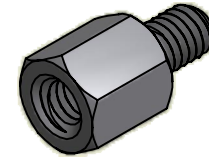
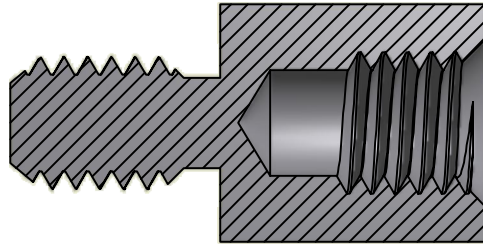
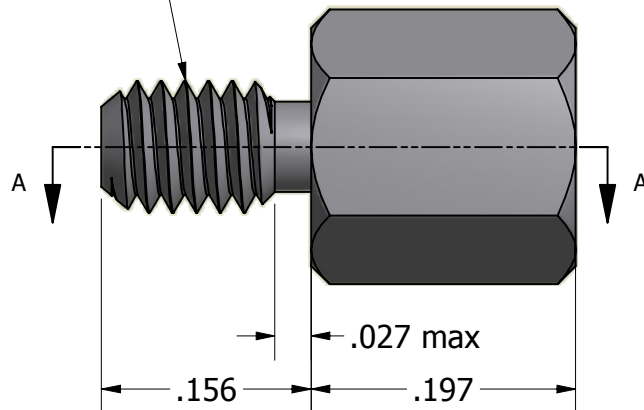


SECTION A-A

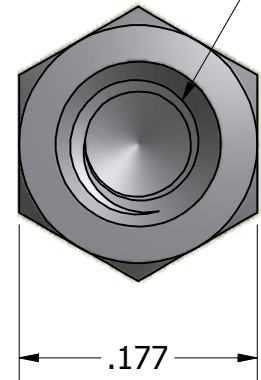


ISO SCALE 3 : 1

M2.5 x 0.45-6g



M2.5-0.45-6H
x .106 min



Tolerances Unless Otherwise Specified:

.xx Decimal: ± .02
.xxx Decimal: ± .005
Fraction: ± 1/64
Angle: ± 2°

LYN-TRON, INC.

Part Number:

SS5170-05.0

Description:

4.5mm Hex Male-Female Standoff

Drawn By:

KenanG 7/11/2011

Gauge:

STD

Material:

Stainless Steel

Scale:

7:1