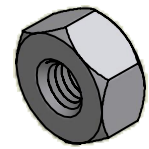
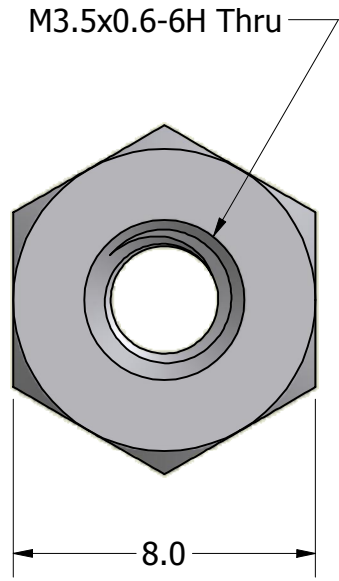
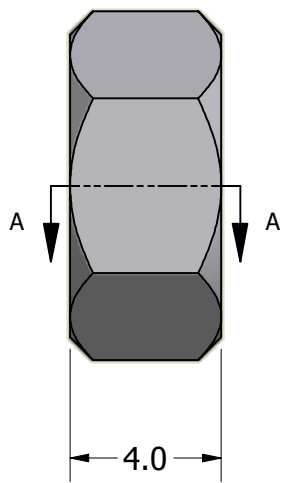


SECTION A-A



ISO SCALE 2 : 1



Tolerances Unless Otherwise Specified:			
.x Decimal:	± 0.3		
.xx Decimal:	± .13		
Fraction:	± 1/64		
Angle:	± 2°		
Part Number:		SS5085-3560-04.0	
Description:		8mm Hex Standoff	
Drawn By:	Gauge:	Material:	Scale:
COURTNEYS08/16/2012		Stainless Steel	5 : 1