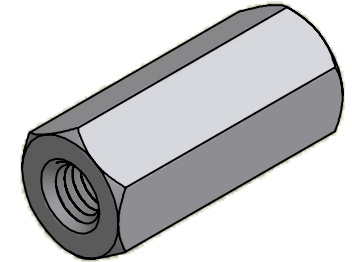
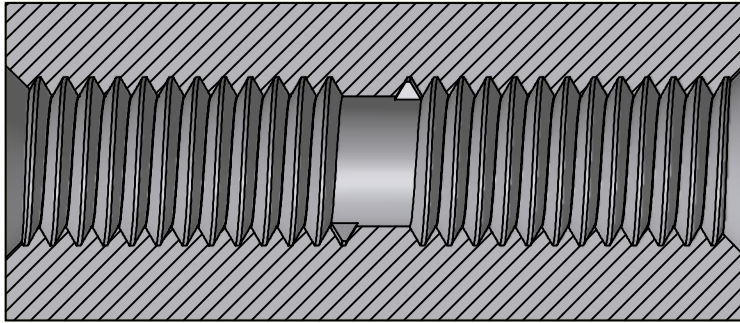
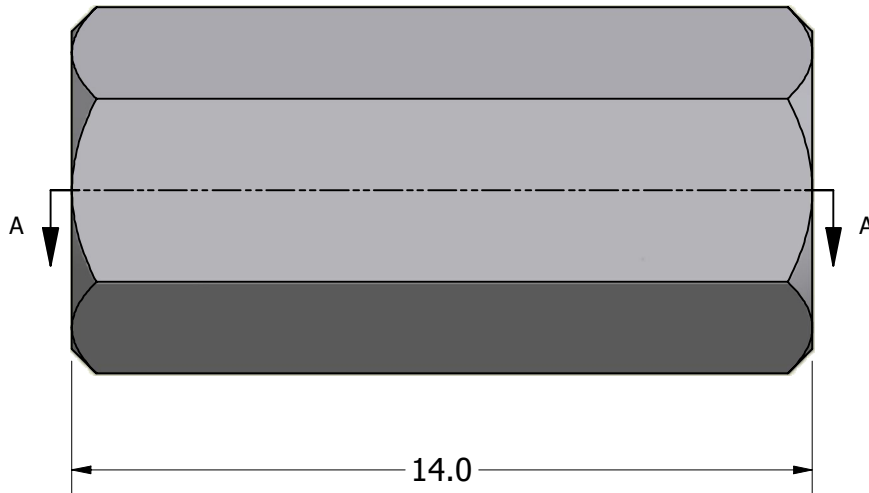
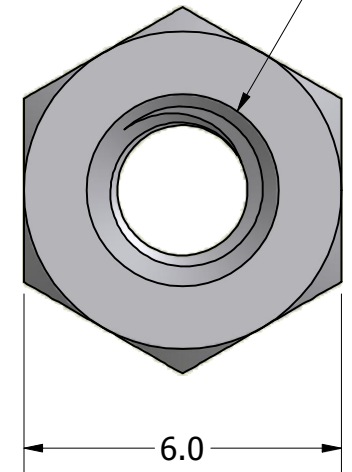


SECTION A-A



ISO SCALE 3 : 1

M3.0x0.5-6H
6.4 min (2 Pls)



Tolerances Unless Otherwise Specified:

.x Decimal: ± 0.3
 .xx Decimal: $\pm .13$
 Fraction: $\pm 1/64$
 Angle: $\pm 2^\circ$

LYN-TRON, INC.

Part Number:

SS5083-3050-14.0

Description:

6mm Hex F/F Standoff

Drawn By:

COURTNEYS08/09/2012

Gauge:

Material:

Stainless Steel

Scale:

7 : 1