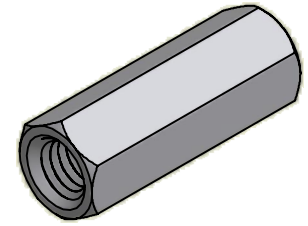
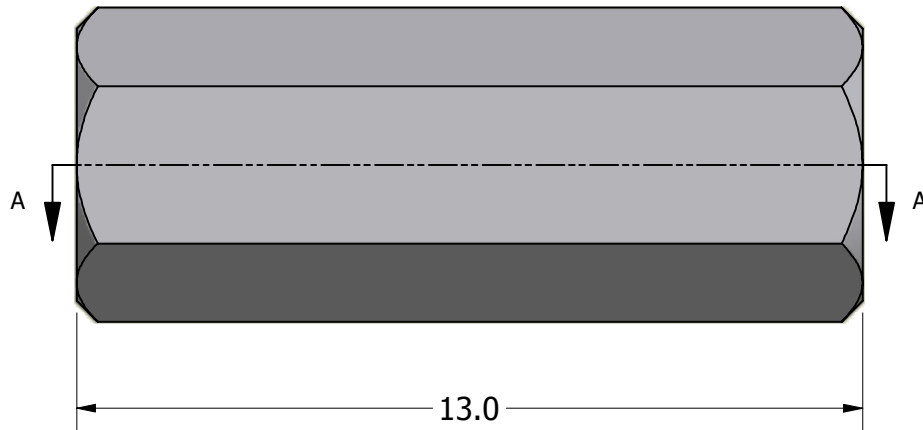


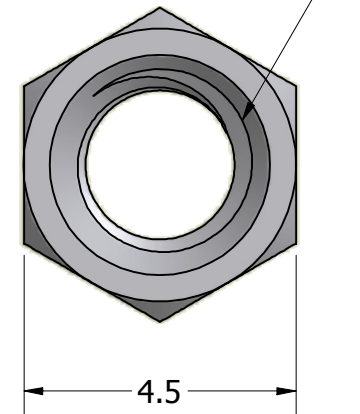
SECTION A-A



ISO SCALE 3 : 1



M3.0x0.5-6H Thru



Tolerances Unless Otherwise Specified:

.x Decimal:  $\pm 0.3$   
 .xx Decimal:  $\pm .13$   
 Fraction:  $\pm 1/64$   
 Angle:  $\pm 2^\circ$

**LYN-TRON, INC.**

Part Number:  
**SS5081-3050-13.0**

Description:  
**4.5mm Hex F/F Standoff**

Drawn By:  
**COURTNEYS08/09/2012**

Gauge:  
 Material:  
**Stainless Steel**

Scale:  
**8 : 1**