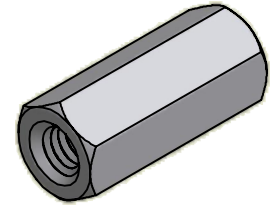
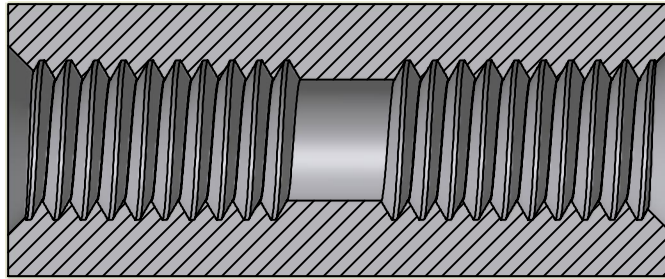
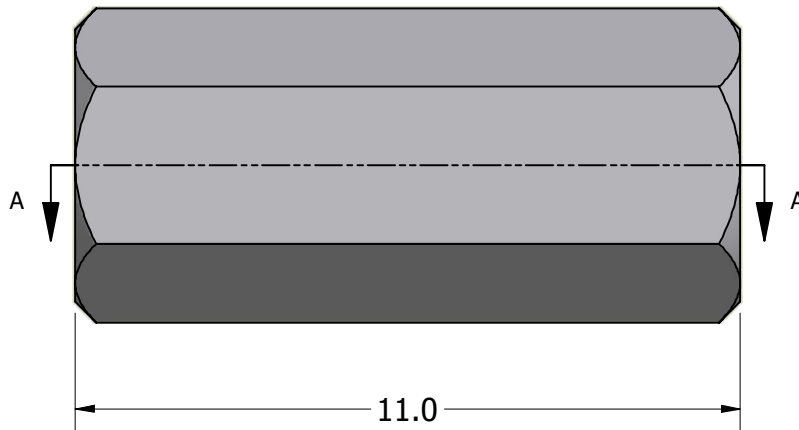
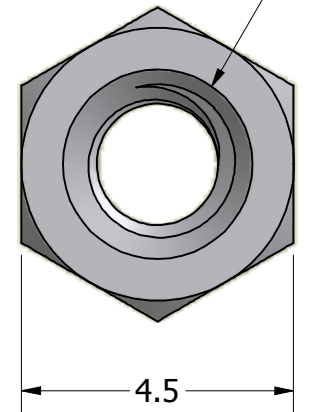


SECTION A-A



ISO SCALE 3 : 1

M2.5x0.45-6H
4.8 min (2 Pls)



Tolerances Unless Otherwise Specified:

.x Decimal: ± 0.3
.xx Decimal: ± .13
Fraction: ± 1/64
Angle: ± 2°

LYN-TRON, INC.

Part Number:

SS5081-2545-11.0

Description:

4.5mm Hex F/F Standoff

Drawn By:

COURTNEYS08/09/2012

Gauge:

Material:

Stainless Steel

Scale:

8 : 1