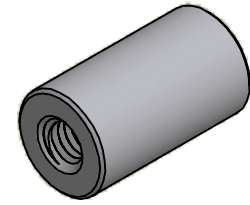
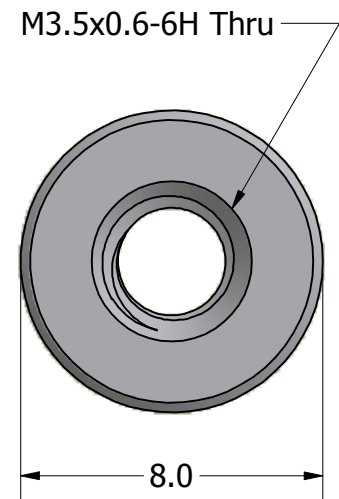
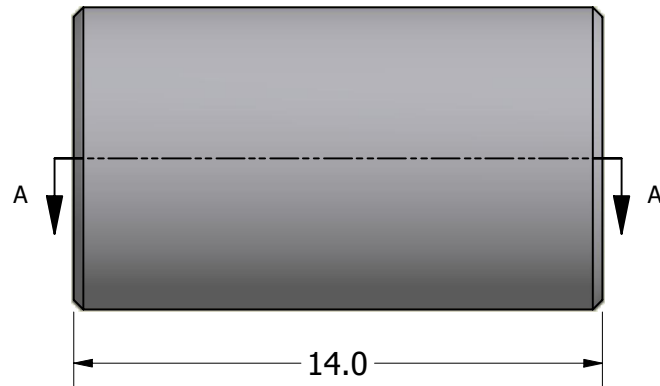


SECTION A-A



ISO SCALE 2 : 1



Tolerances Unless Otherwise Specified:

.x Decimal: ± 0.3
 .xx Decimal: $\pm .13$
 Fraction: $\pm 1/64$
 Angle: $\pm 2^\circ$

LYN-TRON, INC.

Part Number:
SS5073-3560-14.0

Description:
8mm Rnd Standoff

Drawn By:
COURTNEYS01/27/2012

Gauge:

Material:
Stainless Steel

Scale:
5 : 1