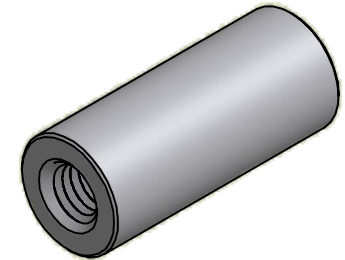
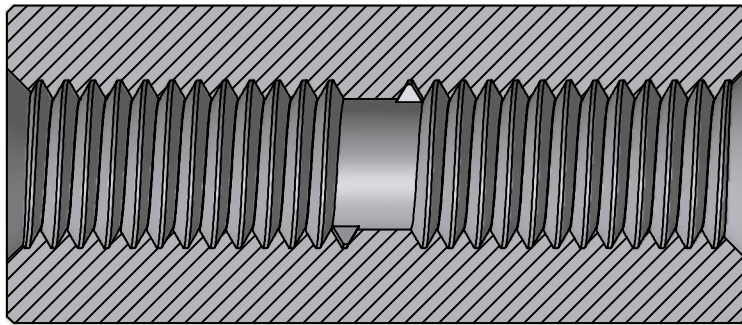
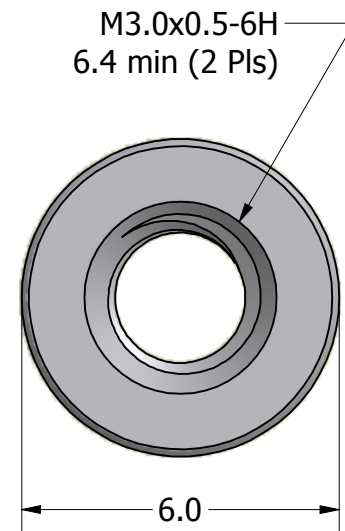
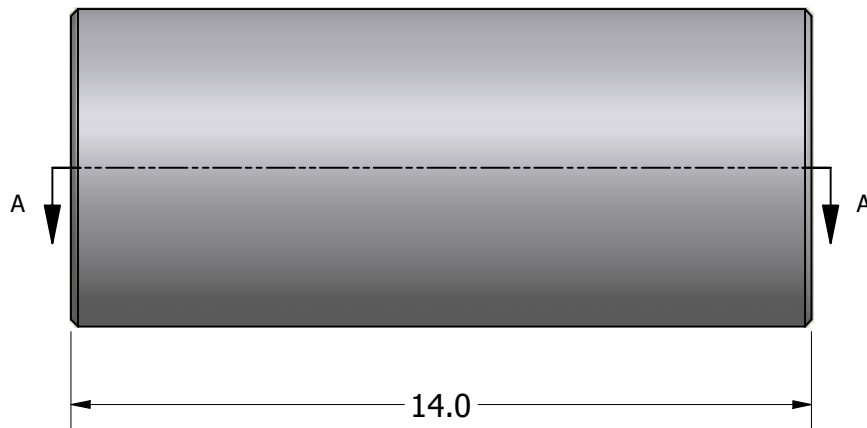


SECTION A-A



ISO SCALE 3 : 1



Tolerances Unless Otherwise Specified:

.x Decimal: ± 0.3
.xx Decimal: ± .13
Fraction: ± 1/64
Angle: ± 2°

LYN-TRON, INC.

Part Number:
SS5071-3050-14.0

Description:
6mm Rnd F/F Standoff

Drawn By:
JEFFN 12/20/2011

Gauge:

Material:
Stainless Steel

Scale:
7 : 1