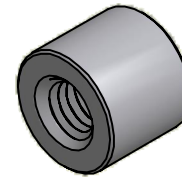
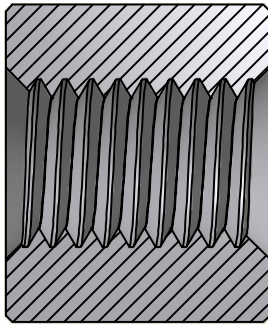
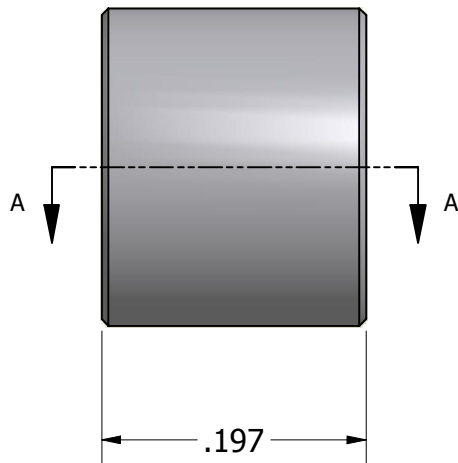


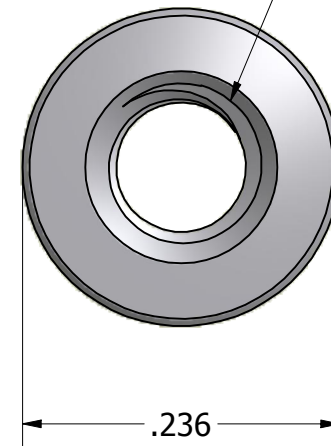
SECTION A-A



ISO SCALE 3 : 1



M3.0 X 0.5 - 6H THRU



Tolerances Unless Otherwise Specified:

.xx Decimal: ± .02
.xxx Decimal: ± .005
Fraction: ± 1/64
Angle: ± 2°

LYN-TRON, INC.

Part Number:

SS5071-3050-05.0

Description:

6mm Round Female-Female Standoff

Drawn By:

Rick Z 8/22/2011

Gauge:

STD

Material:

Stainless Steel

Scale:

7:1