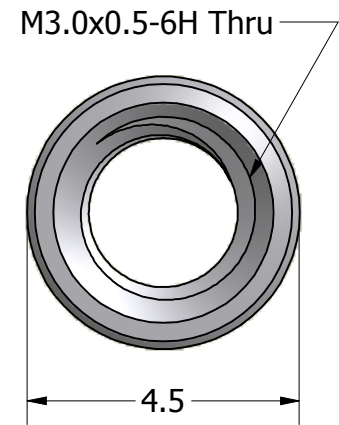
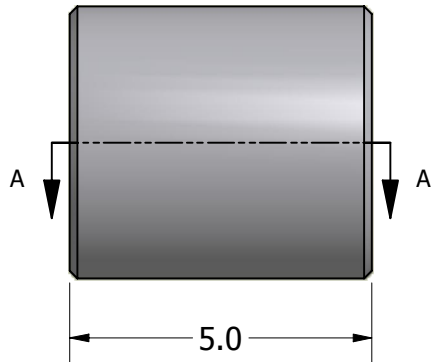


SECTION A-A



ISO SCALE 3 : 1



Tolerances Unless Otherwise Specified:

- .x Decimal:** ± 0.3
- .xx Decimal:** ± .13
- Fraction:** ± 1/64
- Angle:** ± 2°

LYN-TRON, INC.

Part Number:
SS5069-3050-05.0

Description:
4.5mm Rnd Standoff

Drawn By:
COURTNEYS06/24/2010

Gauge:

Material:
Stainless Steel

Scale:
8 : 1