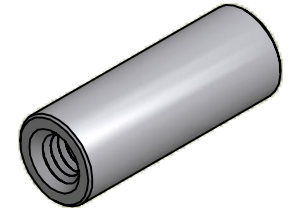
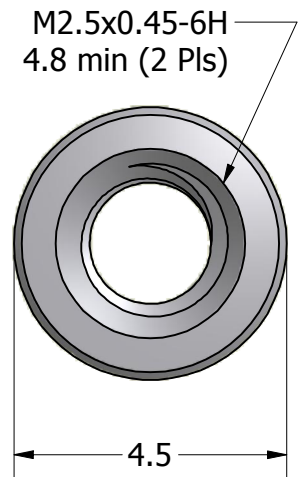
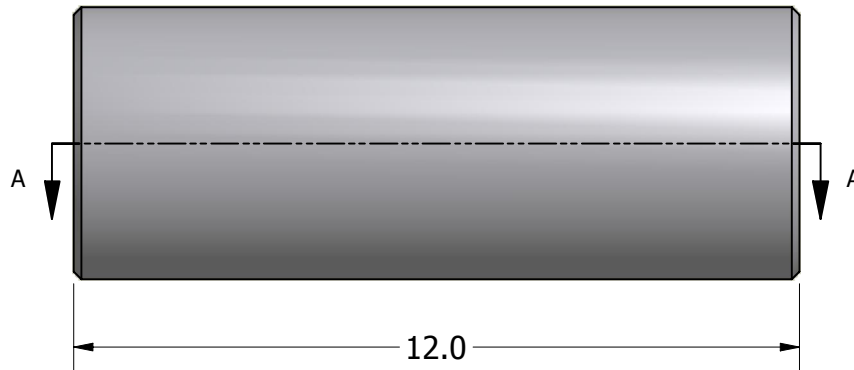


SECTION A-A



ISO SCALE 3 : 1



Tolerances Unless Otherwise Specified:

**.x Decimal:** ± 0.3  
**.xx Decimal:** ± .13  
**Fraction:** ± 1/64  
**Angle:** ± 2°

**LYN-TRON, INC.**

Part Number:  
**SS5069-2545-12.0**

Description:  
**4.5mm Rnd F/F Standoff**

Drawn By:  
**COURTNEYS12/22/2011**

Gauge:

Material:  
**Stainless Steel**

Scale:  
**8 : 1**