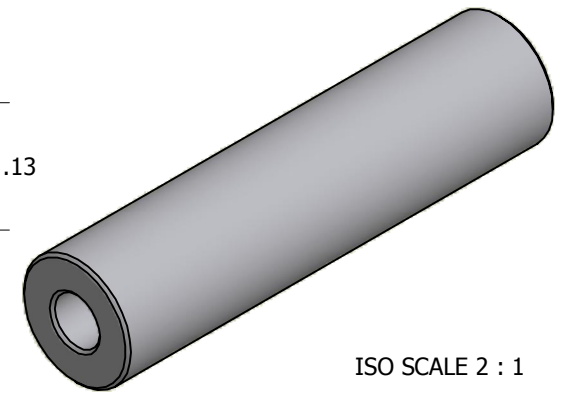
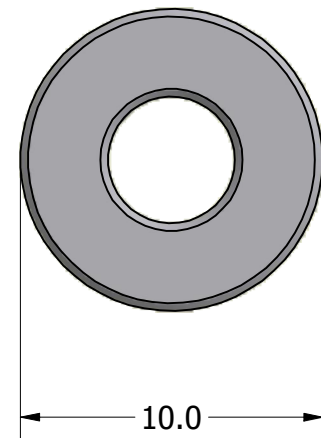
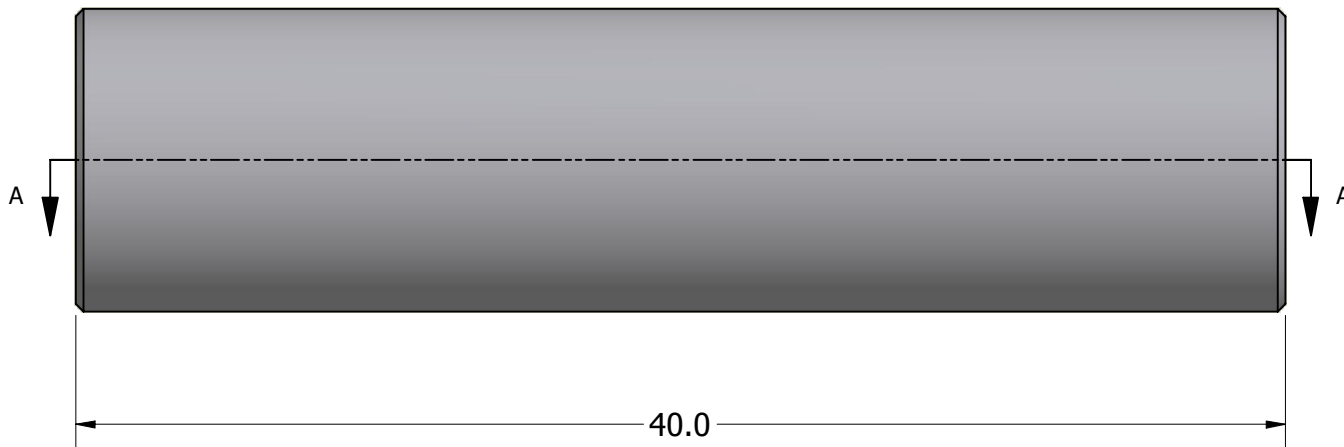


4.2 ± .13

SECTION A-A



ISO SCALE 2 : 1



Tolerances Unless Otherwise Specified:

.x Decimal: ± 0.3  
 .xx Decimal: ± .13  
 Fraction: ± 1/64  
 Angle: ± 2°

**LYN-TRON, INC.**

Part Number:  
**SS5008-40-40.0**

Description:  
**10mm Rnd Spacer**

Drawn By:  
**JEFFN 06/20/2010**

Gauge:

Material:  
**Stainless Steel**

Scale:  
**4 : 1**