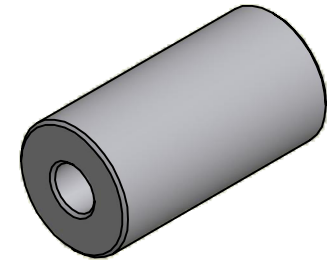
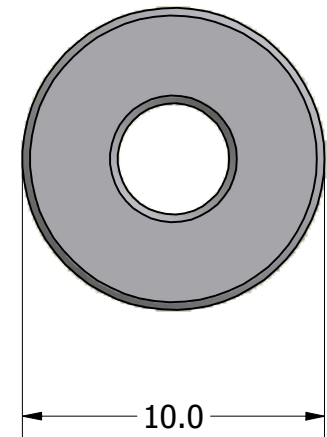
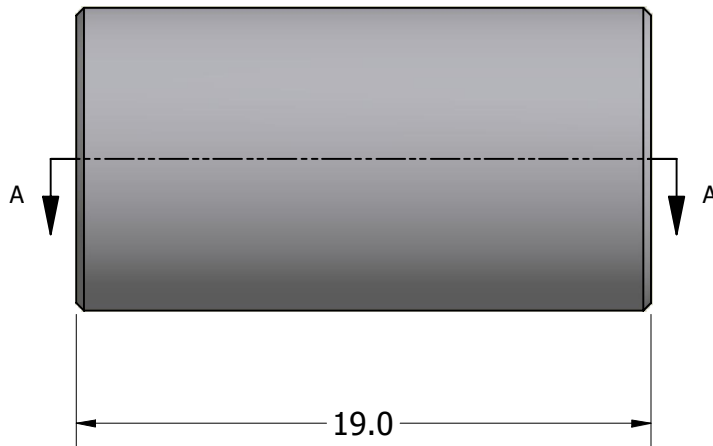


SECTION A-A



ISO SCALE 2 : 1



Tolerances Unless Otherwise Specified:

- .x Decimal: ± 0.3
- .xx Decimal: ± .13
- Fraction: ± 1/64
- Angle: ± 2°

LYN-TRON, INC.

Part Number:

SS5008-35-19.0

Description:

10mm Rnd Spacer

Drawn By:

JEFFN

06/20/2010

Gauge:

Material:

Stainless Steel

Scale:

4 : 1