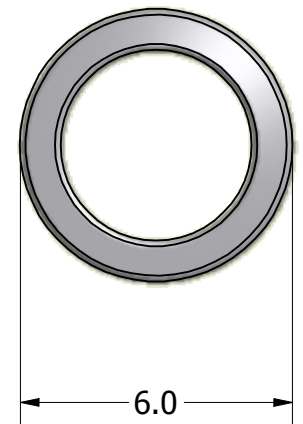
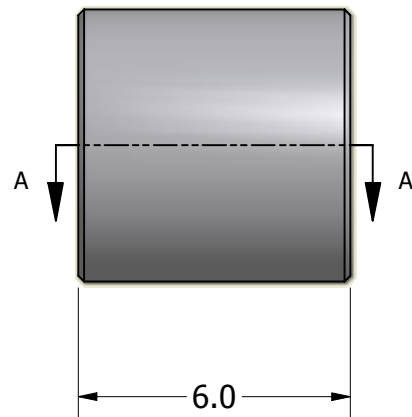


SECTION A-A



ISO SCALE 2 : 1



Tolerances Unless Otherwise Specified:

- .x Decimal:** ± 0.3
- .xx Decimal:** ± .13
- Fraction:** ± 1/64
- Angle:** ± 2°

LYN-TRON, INC.

Part Number:
SS5005-40-06.0

Description:
6mm Rnd Spacer

Drawn By:
JEFFN 06/19/2010

Gauge:

Material:
Stainless Steel

Scale:
6 : 1