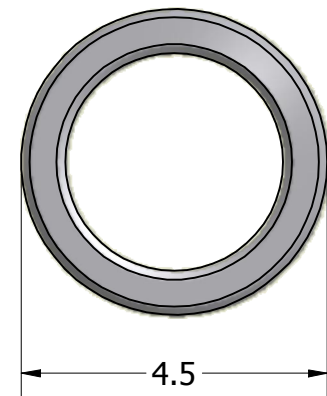
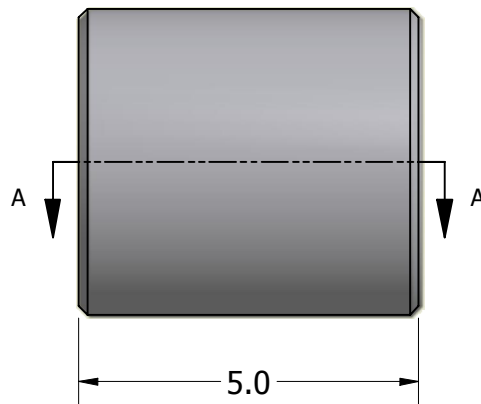


SECTION A-A



ISO SCALE 4 : 1



Tolerances Unless Otherwise Specified:

.x Decimal: ± 0.3
 .xx Decimal: $\pm .13$
 Fraction: $\pm 1/64$
 Angle: $\pm 2^\circ$

LYN-TRON, INC.

Part Number:

SS5003-30-05.0

Description:

4.5mm Rnd Spacer

Drawn By:

JEFFN

06/19/2010

Gauge:

Material:

Stainless Steel

Scale:

9 : 1