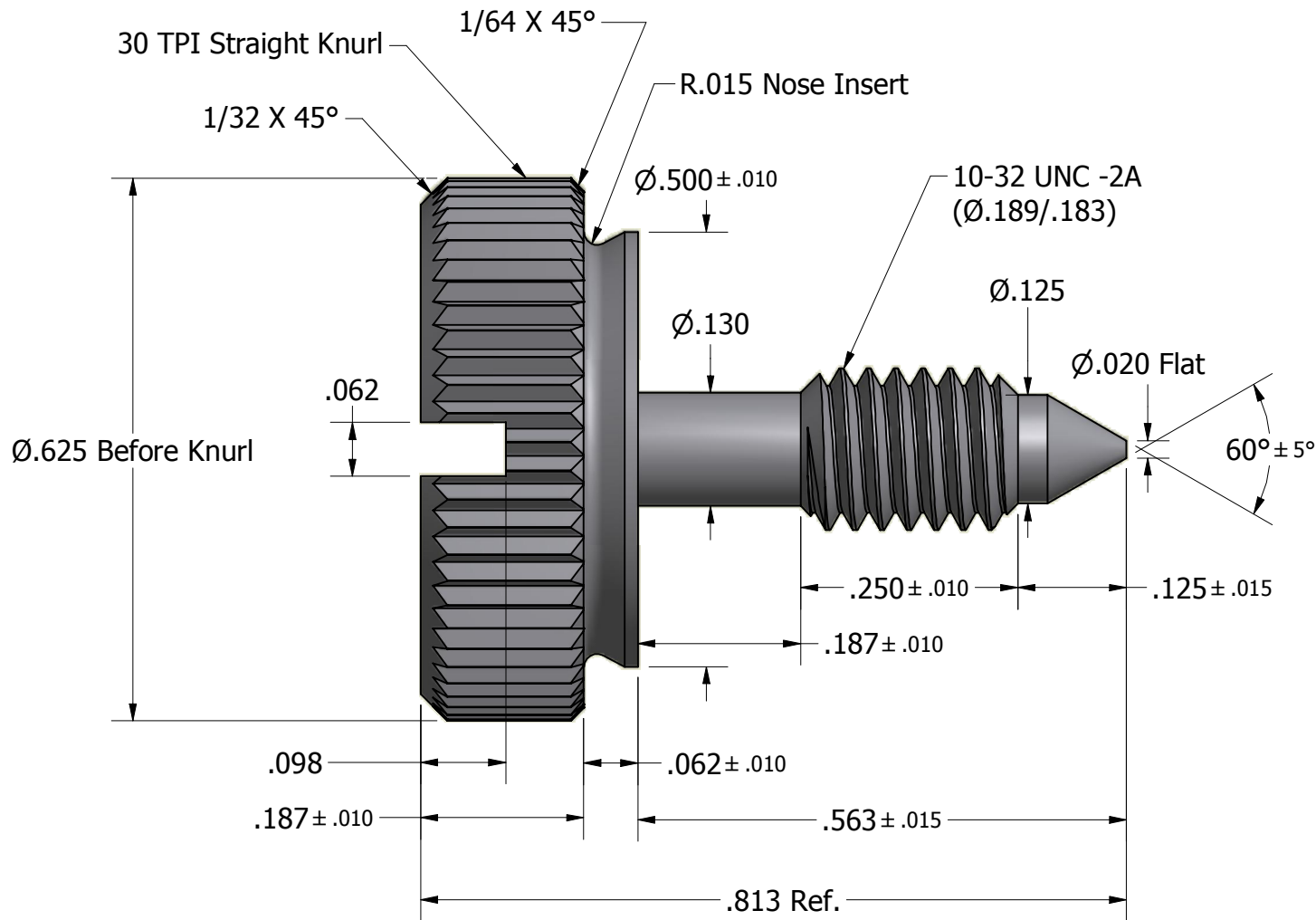




ISO SCALE 1 : 1



Tolerances Unless Otherwise Specified:

.xx Decimal:  $\pm .02$   
 .xxx Decimal:  $\pm .005$   
 Fraction:  $\pm 1/64$   
 Angle:  $\pm 2^\circ$

**LYN-TRON, INC.**

Part Number:

**SS3698**

Description:

**5/8 Round Captive Panel Screw - Type 3**

Drawn By:

Otis L 4/3/2012

Gauge:

STD

Material:

Stainless Steel 303

Scale:

5:1