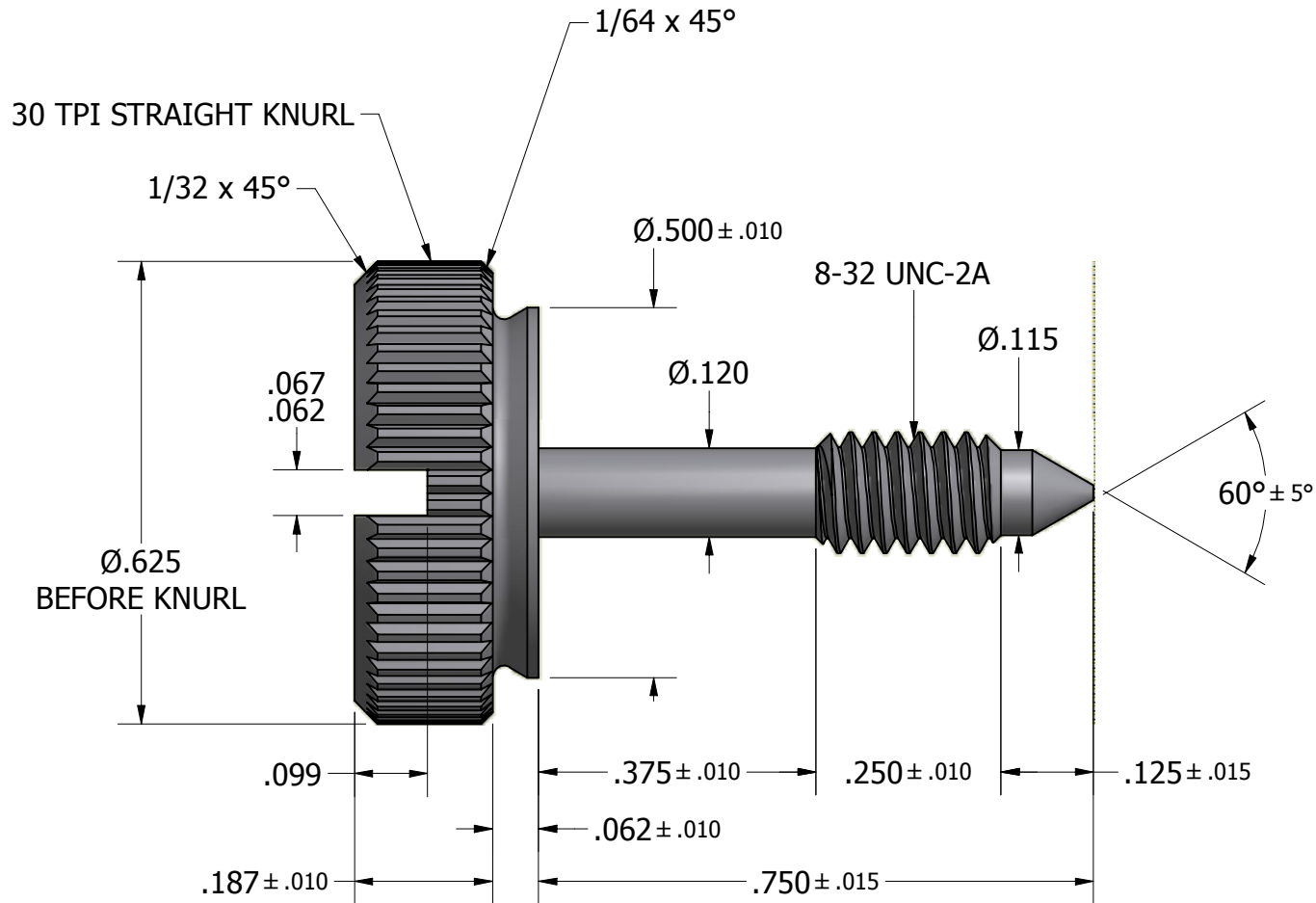


ISO SCALE 1 : 1



Tolerances Unless Otherwise Specified:

.xx Decimal:  $\pm .02$   
 .xxx Decimal:  $\pm .005$   
 Fraction:  $\pm 1/64$   
 Angle:  $\pm 2^\circ$

**LYN-TRON, INC.**

Part Number:

**SS3633**

Description:

**5/8 Round Captive Panel Screw -- Type 3**

Drawn By:

**Cameron C. 3/11/2014**

Gauge:

**STD**

Material:

**Stainless Steel 303**

Scale:

**4:1**