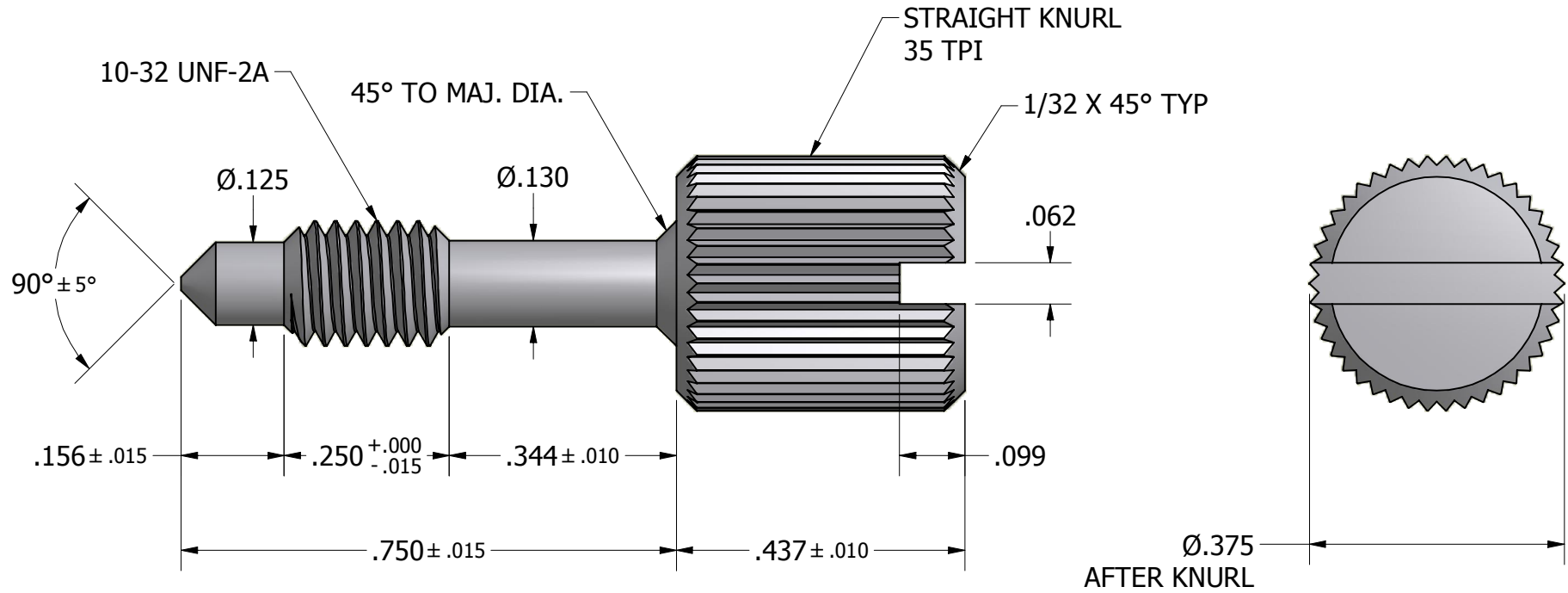




ISO SCALE 1 : 1



Tolerances Unless Otherwise Specified:

**.xx Decimal:** ± .02  
**.xxx Decimal:** ± .005  
**Fraction:** ± 1/64  
**Angle:** ± 2°

**LYN-TRON, INC.**

Part Number:

**SS3446**

Description:

**3/8 Round Captive Panel Screw - Type 2**

Drawn By:

**Rick Z**

**11/10/2011**

Gauge:

**STD**

Material:

**Stainless Steel 303**

Scale:

**4:1**