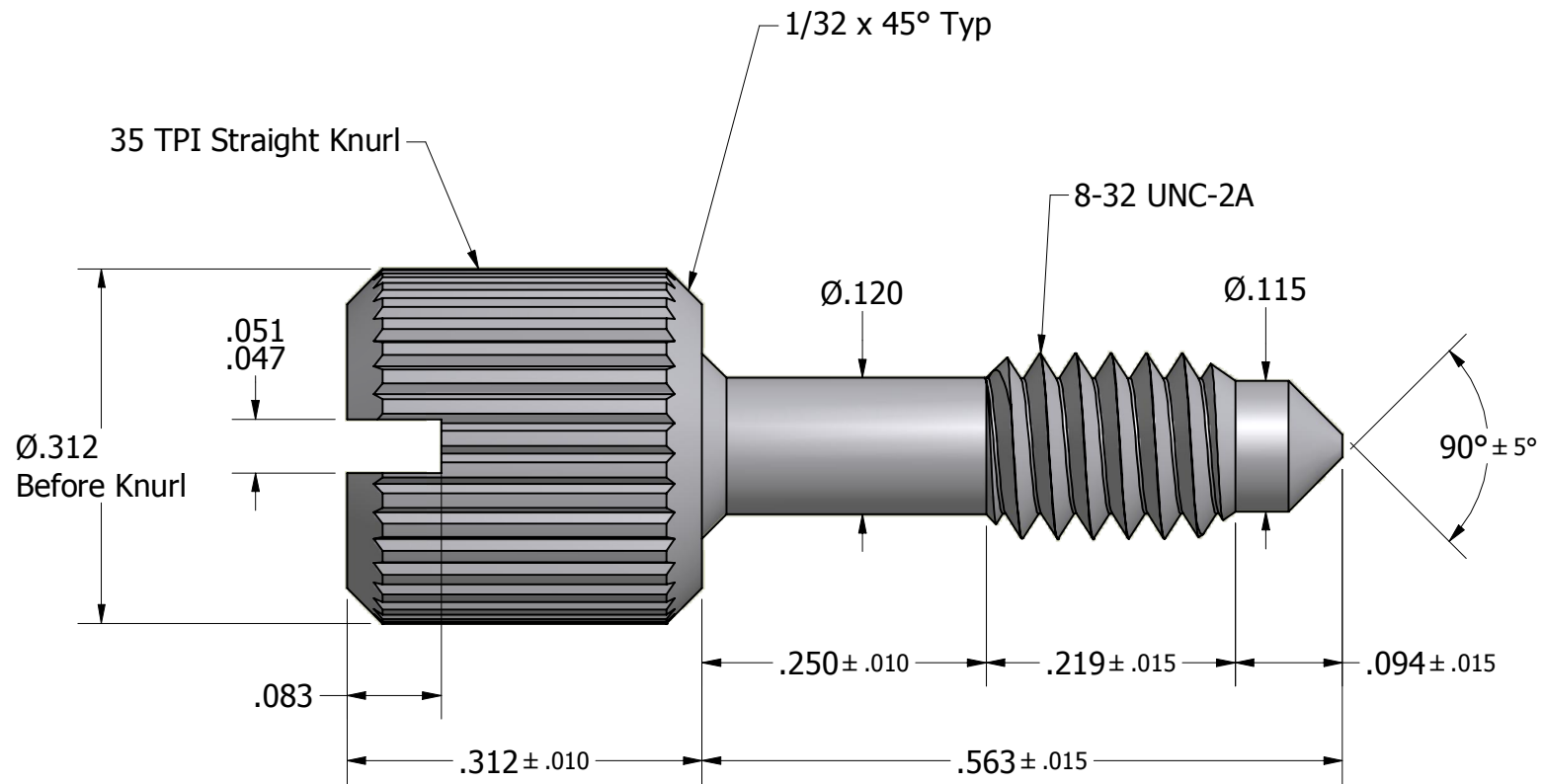


ISO SCALE 2 : 1



Tolerances Unless Otherwise Specified:

.xx Decimal: ± .02
 .xxx Decimal: ± .005
 Fraction: ± 1/64
 Angle: ± 2°

LYN-TRON, INC.

Part Number:

SS3405

Description:

5/16 Rnd Captive Panel Screw -- Type 2

Drawn By:

KenanG 5/13/2011

Gauge:

STD

Material:

Stainless Steel

Scale:

6:1