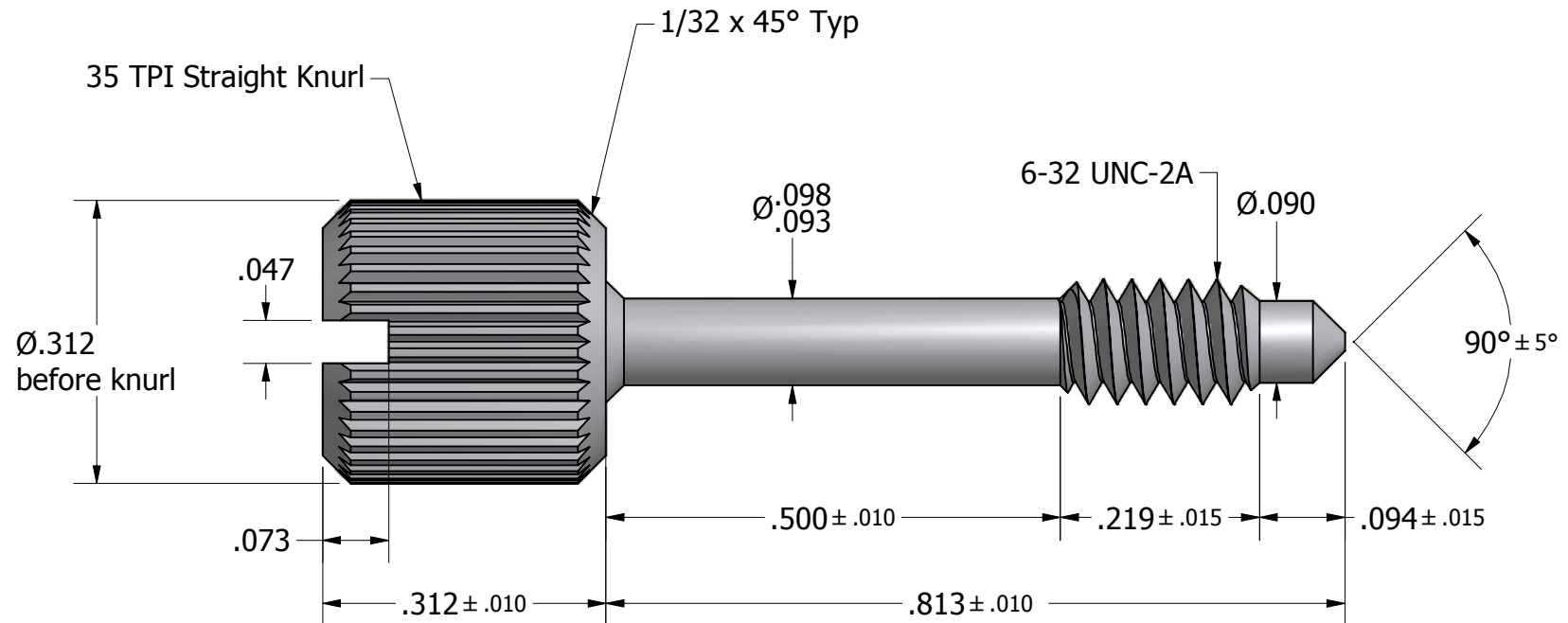


ISO SCALE 2 : 1



Tolerances Unless Otherwise Specified:

.xx Decimal: ± .02
 .xxx Decimal: ± .005
 Fraction: ± 1/64
 Angle: ± 2°

LYN-TRON, INC.

Part Number:

SS3395

Description:

Captive Panel Screw -- Type 2

Drawn By:

kenang 12/3/2010

Gauge:

STD

Material:

Stainless Steel 303

Scale:

5:1