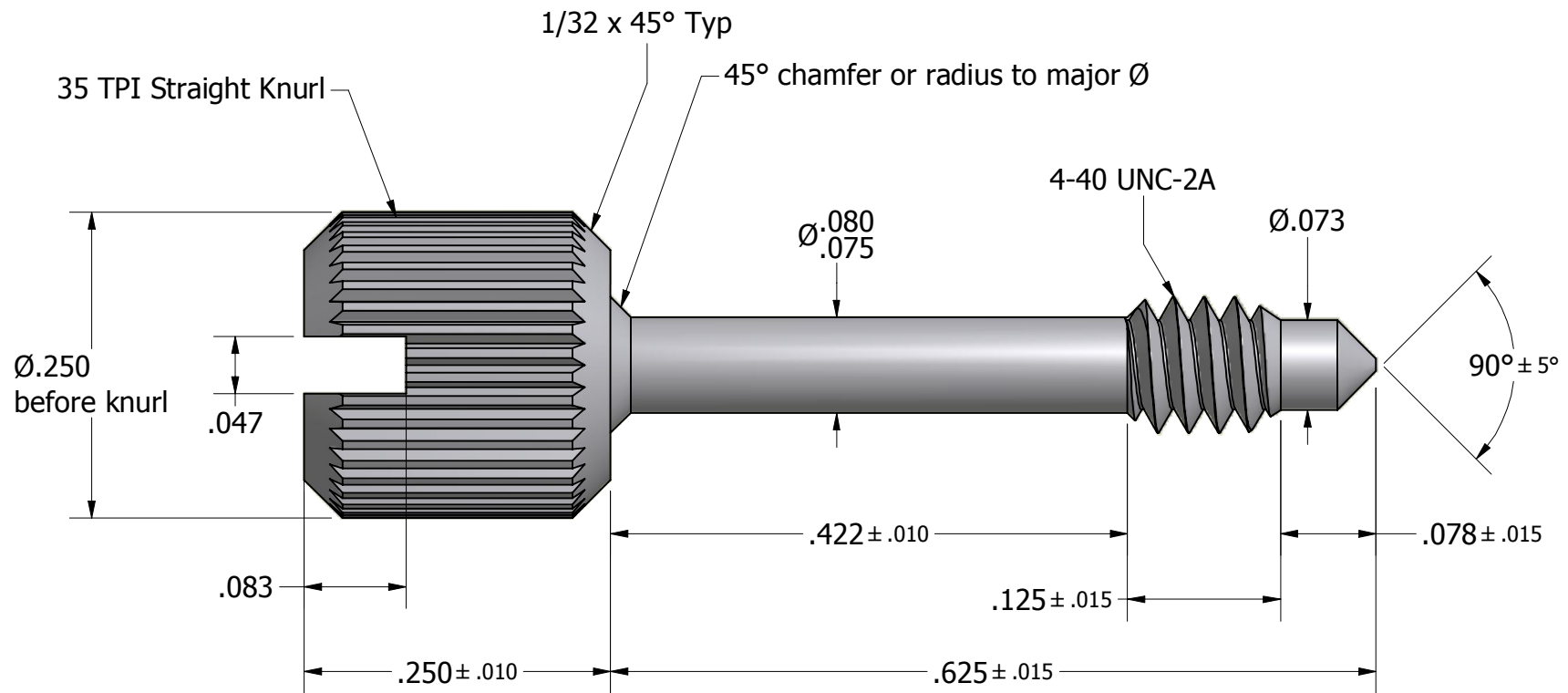




ISO SCALE 2 : 1



Tolerances Unless Otherwise Specified:

.xx Decimal: $\pm .02$
.xxx Decimal: $\pm .005$
Fraction: $\pm 1/64$
Angle: $\pm 2^\circ$

LYN-TRON, INC.

Part Number:

SS3371

Description:

1/4 Rnd Captive Panel Screw -- Type 2

Drawn By:

kenang 11/2/2010

Gauge:

STD

Material:

Stainless Steel 303

Scale:

7:1