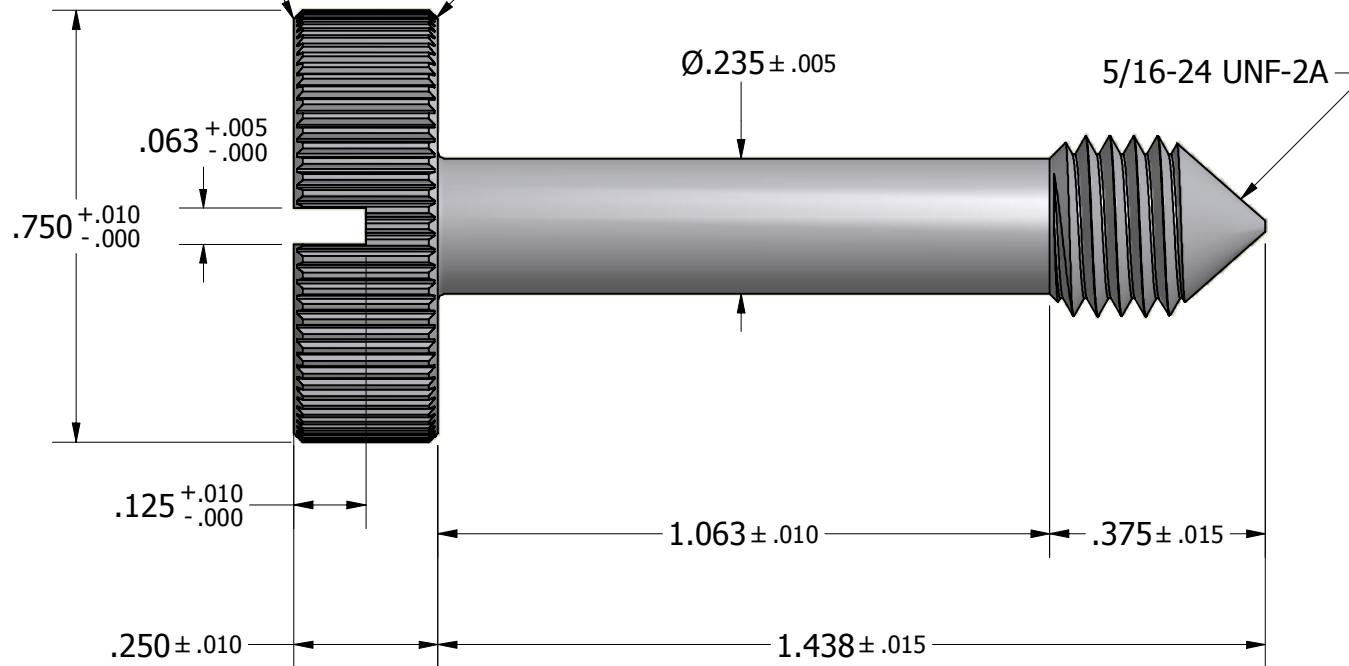


30 TPI Straight Knurl

1/64 x 45° Typ



Tolerances Unless Otherwise Specified:

.xx Decimal: $\pm .02$
 .xxx Decimal: $\pm .005$
 Fraction: $\pm 1/64$
 Angle: $\pm 2^\circ$

LYN-TRON, INC.

Part Number:

SS3357

Description:

Captive Panel Screw -- Type 1

Drawn By:

COURTNEYS02/22/2011

Gauge:

Material:

Stainless Steel

Scale:

1 : 1