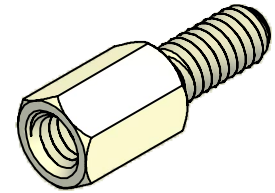
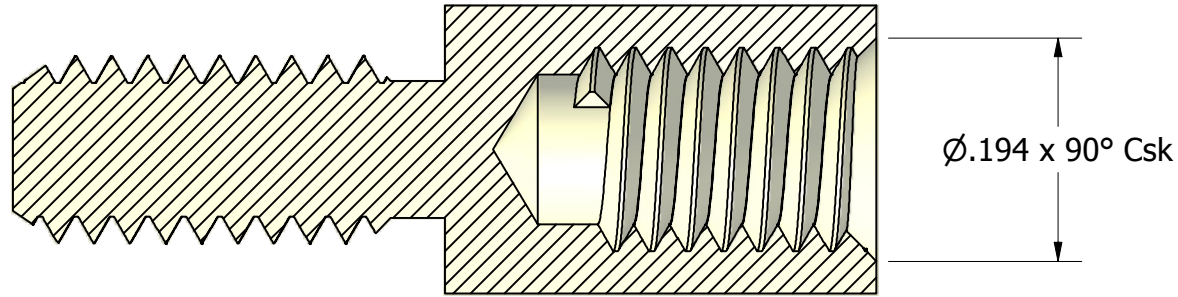
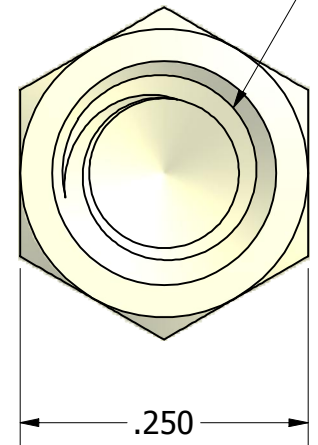
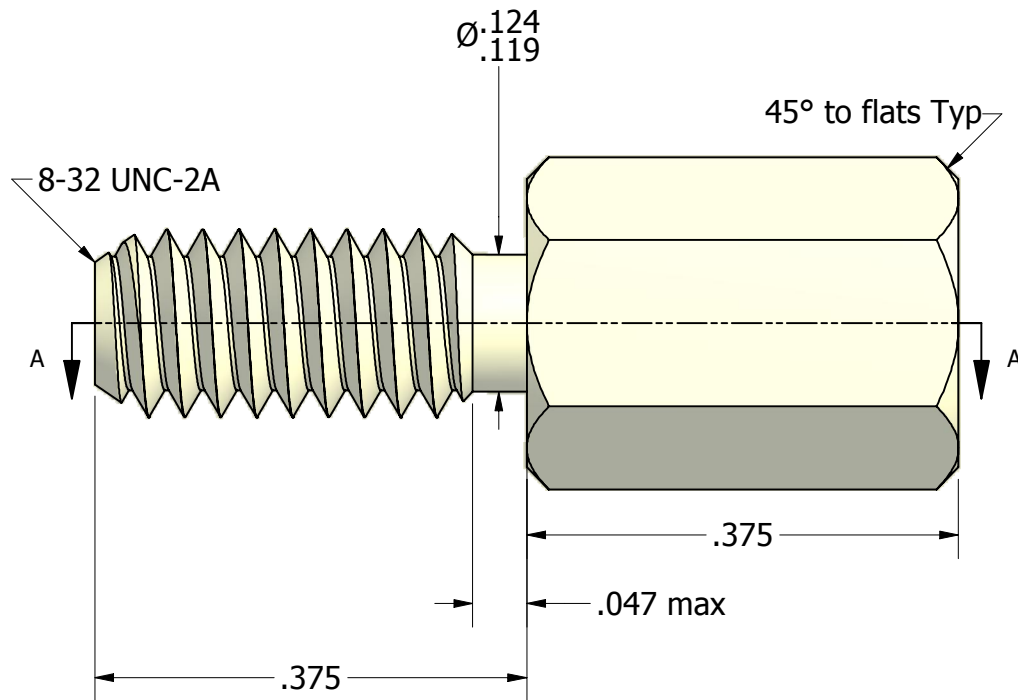


SECTION A-A



ISO SCALE 2 : 1

8-32 UNC-2B
x 0.247 min.



Tolerances Unless Otherwise Specified:

.xx Decimal: ± .02
.xxx Decimal: ± .010
Fraction: ± 1/64
Angle: ± 2°

LYN-TRON, INC.

Part Number:

NY6982-0.375

Description:

1/4 Hex Male-Female Standoff

Drawn By:

RICKZ 02/02/2012

Gauge:

Material:

Nylon

Scale:

6 : 1