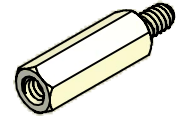
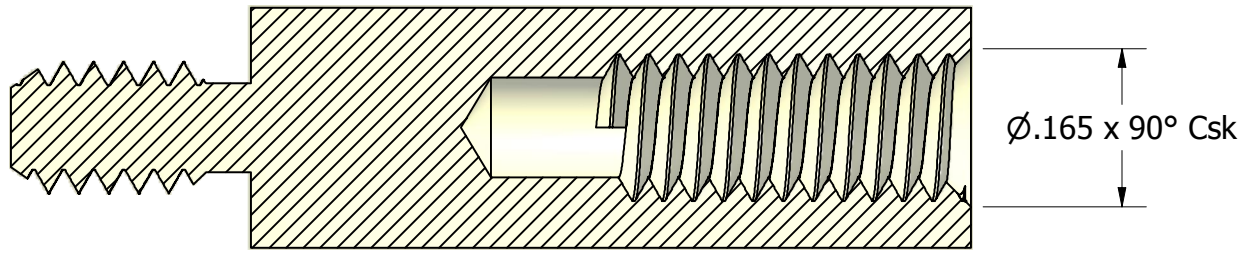
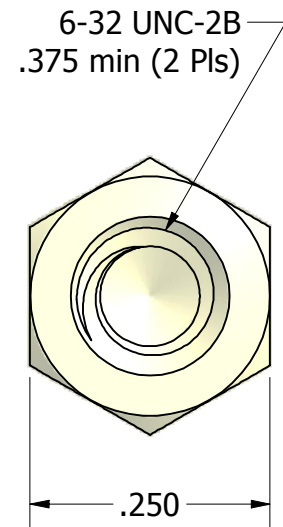
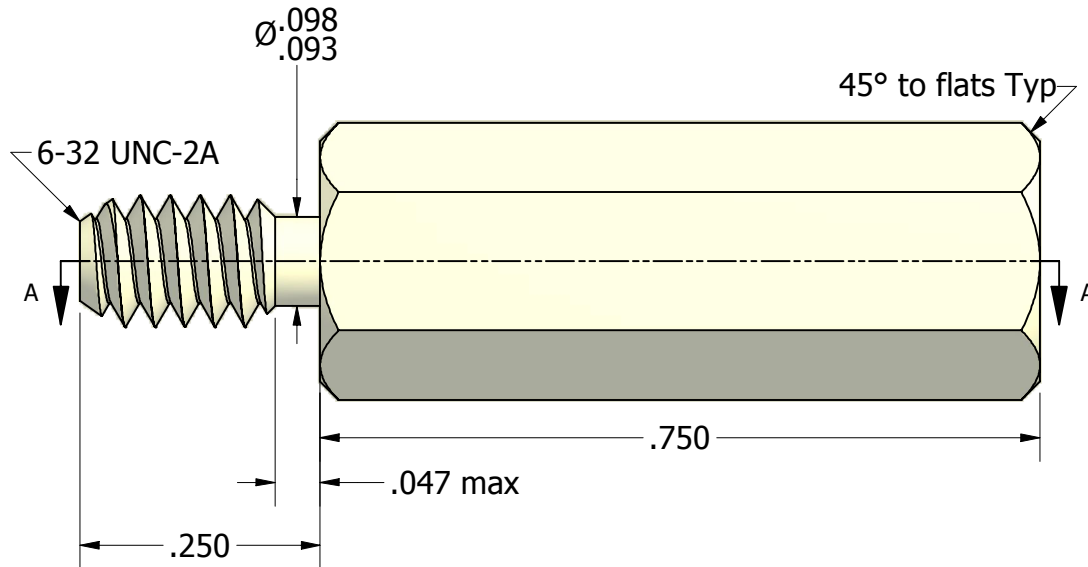


SECTION A-A



ISO SCALE 1 : 1



Tolerances Unless Otherwise Specified:

.xx Decimal: $\pm .02$
 .xxx Decimal: $\pm .010$
 Fraction: $\pm 1/64$
 Angle: $\pm 2^\circ$

LYN-TRON, INC.

Part Number:

NY6981-0.750

Description:

1/4 Hex Male-Female Standoff

Drawn By:

RICKZ 02/02/2012

Gauge:

Material:

Nylon

Scale:

5 : 1