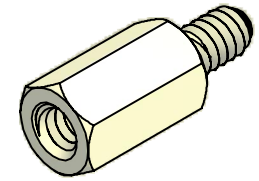
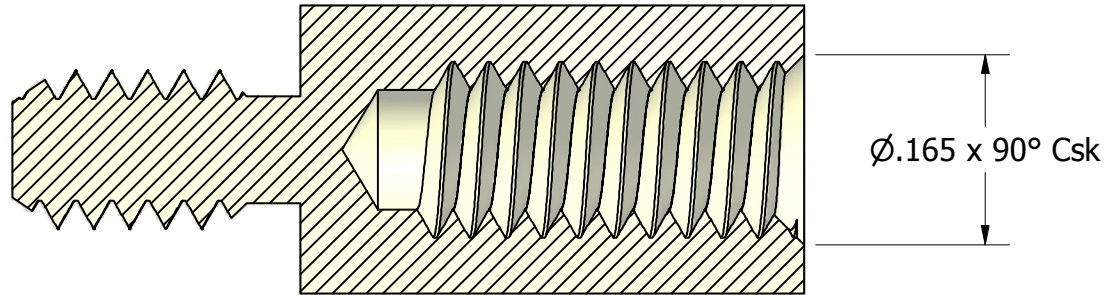
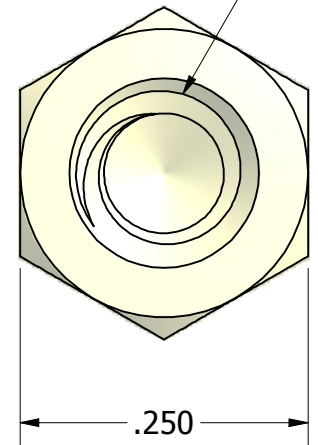
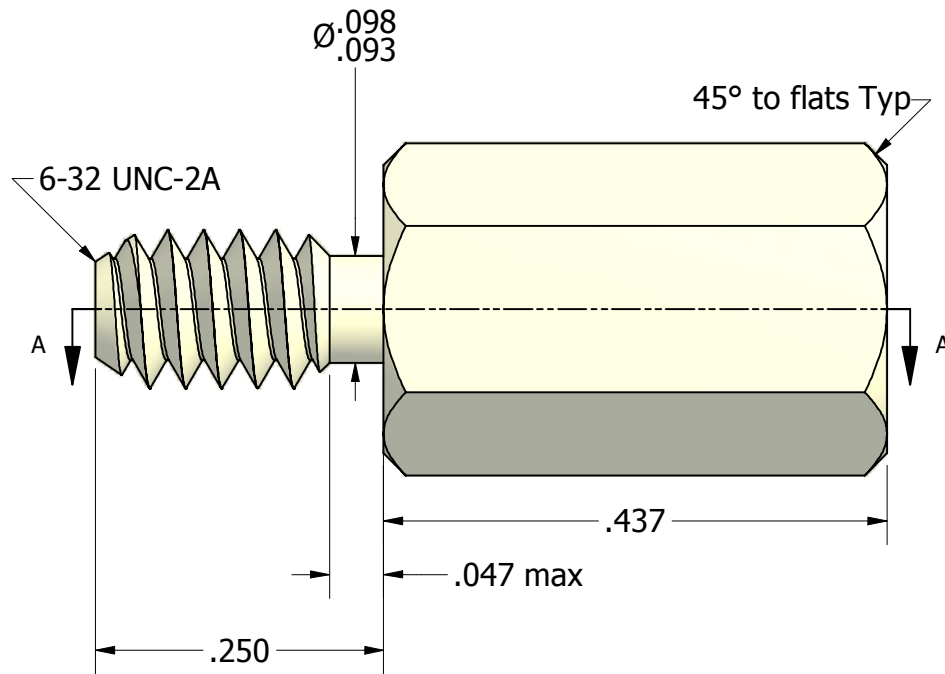


SECTION A-A



ISO SCALE 2 : 1

6-32 UNC-2B  
x 0.323 min.



Tolerances Unless Otherwise Specified:

.xx Decimal:  $\pm .02$   
 .xxx Decimal:  $\pm .010$   
 Fraction:  $\pm 1/64$   
 Angle:  $\pm 2^\circ$

**LYN-TRON, INC.**

Part Number:

**NY6981-0.437**

Description:

**1/4 Hex Male-Female Standoff**

Drawn By:

**RICKZ 02/02/2012**

Gauge:

Material:

**Nylon**

Scale:

**6 : 1**