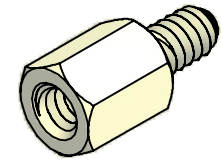
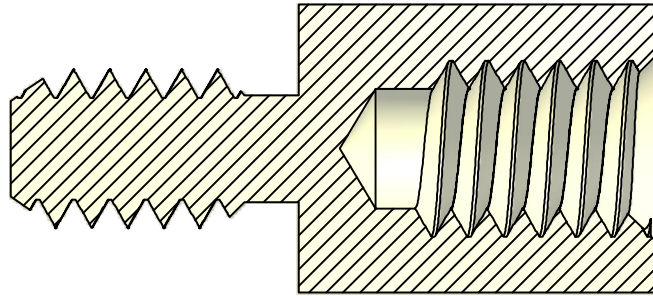
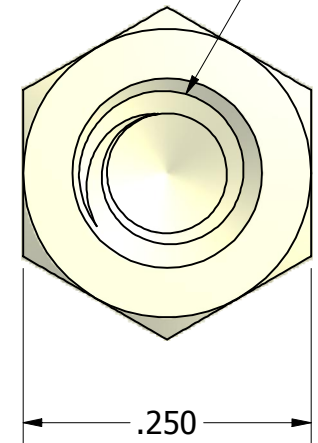
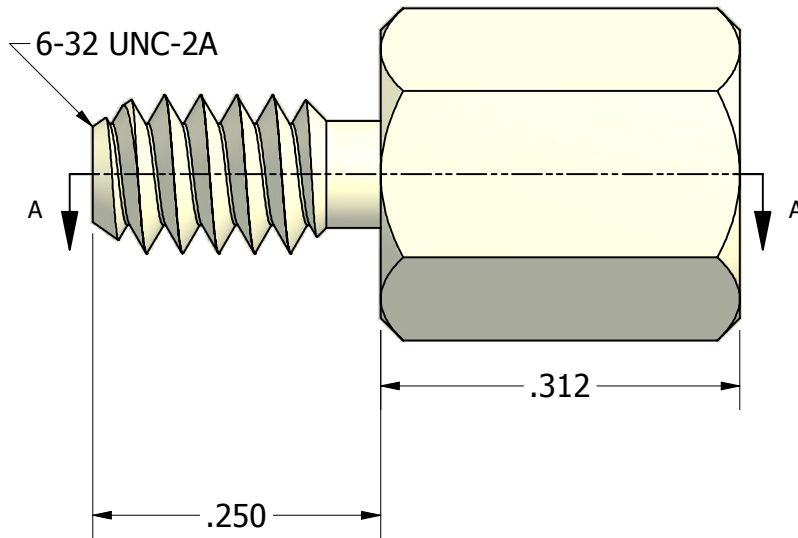


SECTION A-A



ISO SCALE 2 : 1

6-32 UNC-2B  
x 0.198 min.



Tolerances Unless Otherwise Specified:

**.xx Decimal:** ± .02  
**.xxx Decimal:** ± .010  
**Fraction:** ± 1/64  
**Angle:** ± 2°

**LYN-TRON, INC.**

Part Number:

**NY6981-0.312**

Description:

**1/4 Hex Male-Female Standoff**

Drawn By:

**CAMERONC 01/29/2014**

Gauge:

Material:

**Nylon**

Scale:

**6 : 1**