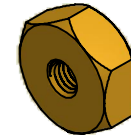
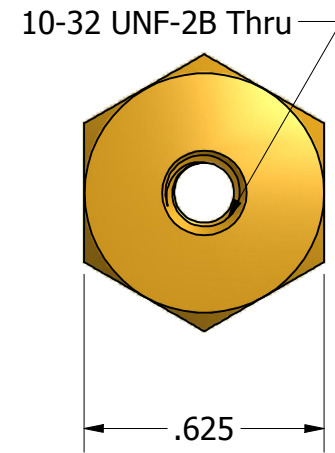
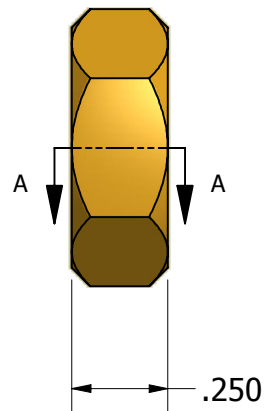




SECTION A-A



ISO SCALE 1 : 1



Tolerances Unless Otherwise Specified:			
<b>.xx Decimal:</b> ± .02 <b>.xxx Decimal:</b> ± .010 <b>Fraction:</b> ± 1/64 <b>Angle:</b> ± 2°			
Part Number:		<b>NY6956-1032-0.250</b>	
Description:		<b>5/8 Hex Standoff</b>	
Drawn By:	Gauge:	Material:	Scale:
<b>JEFFN</b> <b>07/09/2010</b>		<b>Nylon</b>	<b>2 : 1</b>