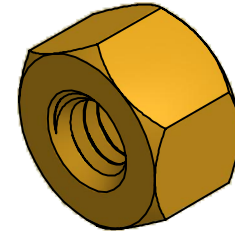
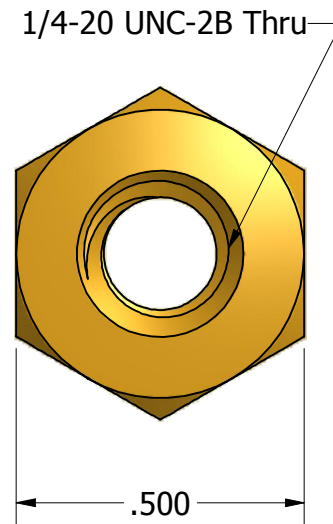
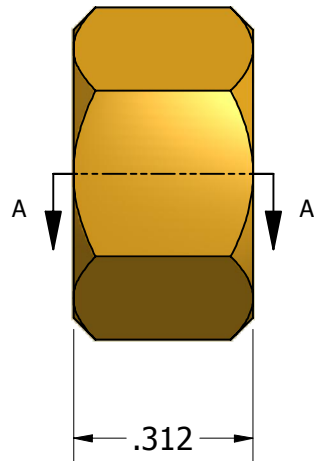




SECTION A-A



ISO SCALE 2 : 1



Tolerances Unless Otherwise Specified:			
.xx Decimal: ± .02 .xxx Decimal: ± .010 Fraction: ± 1/64 Angle: ± 2°			
		Part Number:	
		NY6955-2520-0.312	
		Description:	
		1/2 Hex Standoff	
Drawn By:	Gauge:	Material:	Scale:
JEFFN 07/09/2010		Nylon	3 : 1