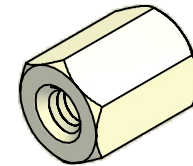
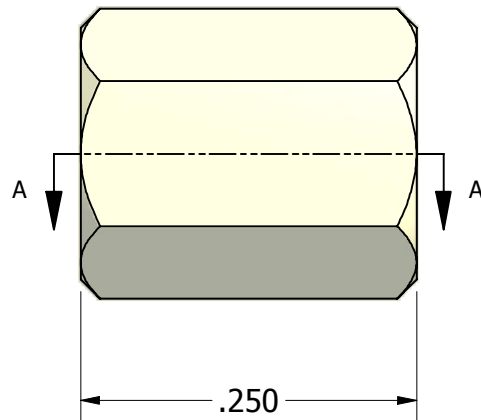


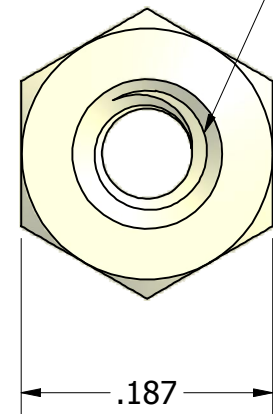
SECTION A-A



ISO SCALE 3 : 1



2-56 UNC-2B Thru



Tolerances Unless Otherwise Specified:

.xx Decimal: $\pm .02$
.xxx Decimal: $\pm .010$
Fraction: $\pm 1/64$
Angle: $\pm 2^\circ$

LYN-TRON, INC.

Part Number:

NY6950-0256-0.250

Description:

3/16 Hex Standoff

Drawn By:

RICKZ 12/14/2011

Gauge:

Material:

Nylon

Scale:

7 : 1