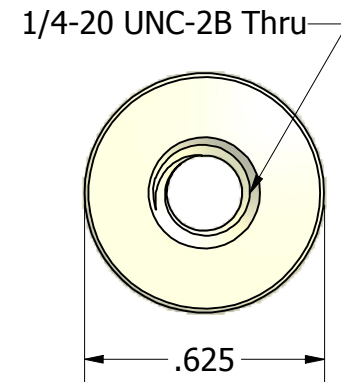
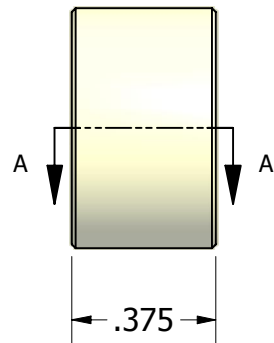


SECTION A-A



ISO SCALE 1 : 1



| | | | |
|---|-----------------------------------|--|----------------------------------|
| Tolerances Unless Otherwise Specified: | | | |
| .xx Decimal: ± .02 .xxx Decimal: ± .010 Fraction: ± 1/64 Angle: ± 2° | | | |
| Part Number: NY6946-2520-0.375 | | Description: 5/8 Round Standoff | |
| Drawn By: JEFFN | Date: 07/07/2010 | Gauge: | Material: Nylon |
| | | Scale: 2 : 1 | |