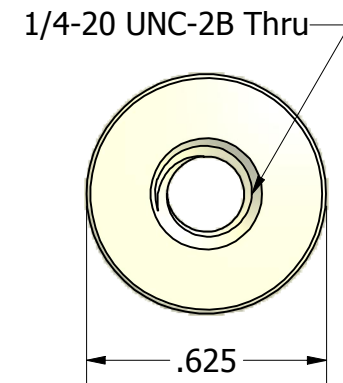
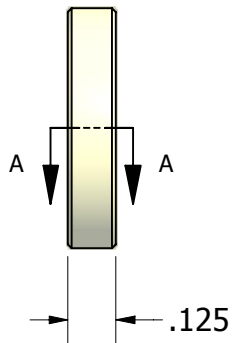




SECTION A-A



ISO SCALE 1 : 1



Tolerances Unless Otherwise Specified:			
<b>.xx Decimal:</b> ± .02 <b>.xxx Decimal:</b> ± .010 <b>Fraction:</b> ± 1/64 <b>Angle:</b> ± 2°			
<b>Part Number:</b> <b>NY6946-2520-0.125</b>		<b>Description:</b> <b>5/8 Round Standoff</b>	
<b>Drawn By:</b> <b>JEFFN</b>	<b>Date:</b> <b>07/07/2010</b>	<b>Gauge:</b>	<b>Material:</b> <b>Nylon</b>
		<b>Scale:</b> <b>2 : 1</b>	