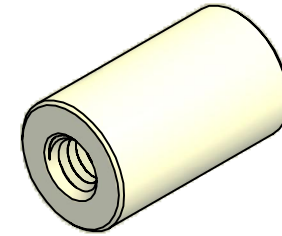
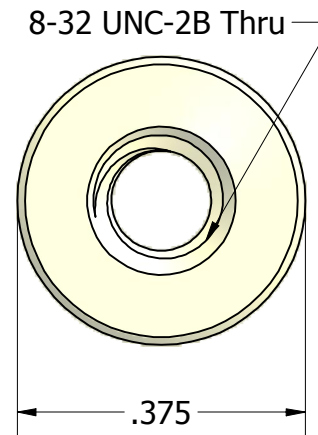
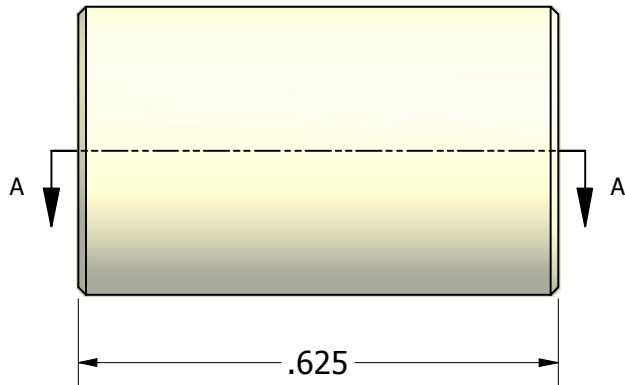


SECTION A-A



ISO SCALE 2 : 1



Tolerances Unless Otherwise Specified:

.xx Decimal: $\pm .02$
.xxx Decimal: $\pm .010$
Fraction: $\pm 1/64$
Angle: $\pm 2^\circ$

LYN-TRON, INC.

Part Number:
NY6943-0832-0.625

Description:
3/8 Round Standoff

Drawn By:
JEFFN 07/07/2010

Gauge:
Nylon

Material:
Nylon

Scale:
4 : 1