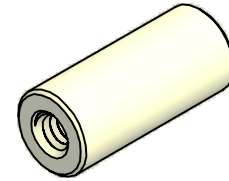
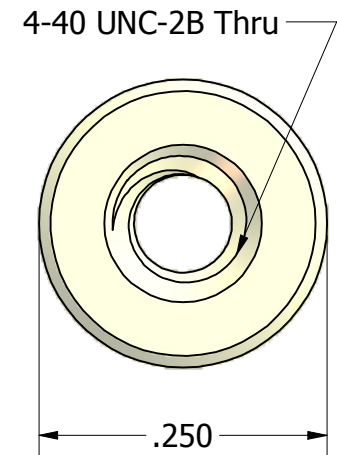
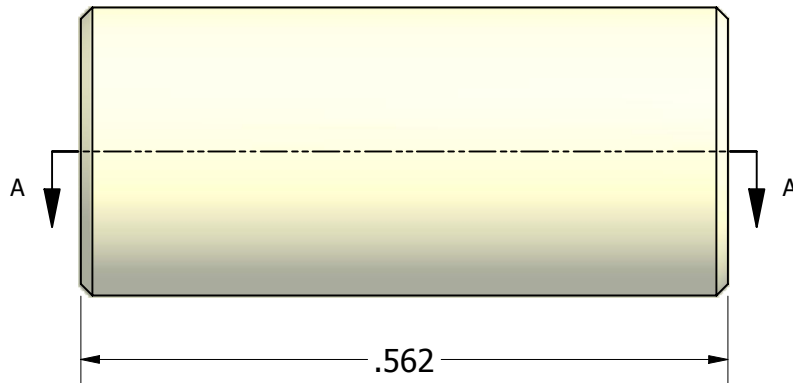


SECTION A-A



ISO SCALE 2 : 1



Tolerances Unless Otherwise Specified:

.xx Decimal: ± .02
.xxx Decimal: ± .010
Fraction: ± 1/64
Angle: ± 2°

LYN-TRON, INC.

Part Number:

NY6941-0440-0.562

Description:

1/4 Round Standoff

Drawn By:

JEFFN

07/06/2010

Gauge:

Material:

Nylon

Scale:

6 : 1