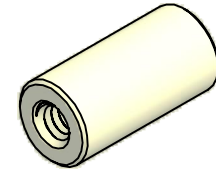
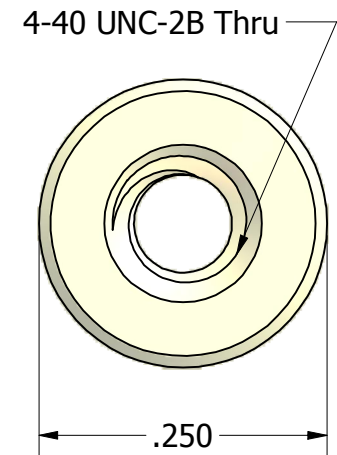
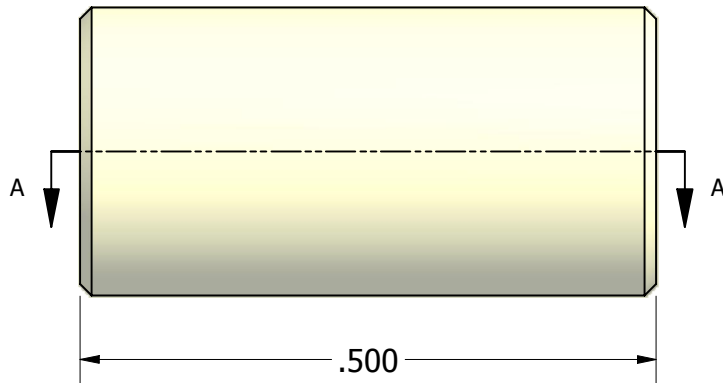


SECTION A-A



ISO SCALE 2 : 1



| | | | |
|--|-------------------|---------------------------|--------------|
| Tolerances Unless Otherwise Specified: | | | |
| .xx Decimal: | ± .02 | | |
| .xxx Decimal: | ± .010 | Part Number: | |
| Fraction: | ± 1/64 | NY6941-0440-0.500 | |
| Angle: | ± 2° | Description: | |
| | | 1/4 Round Standoff | |
| Drawn By: | Gauge: | Material: | Scale: |
| JEFFN | 07/06/2010 | Nylon | 6 : 1 |