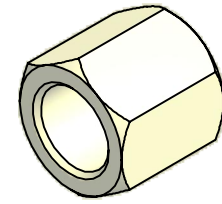
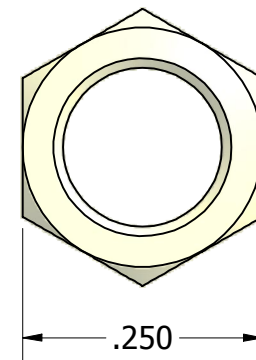
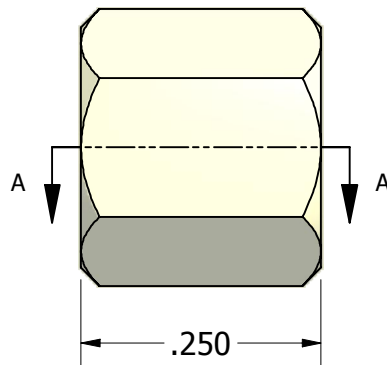


SECTION A-A



ISO SCALE 3 : 1



Tolerances Unless Otherwise Specified:			
.xx Decimal: $\pm .02$			
.xxx Decimal: $\pm .010$			
Fraction: $\pm 1/64$			
Angle: $\pm 2^\circ$			
 LYN-TRON, INC.		Part Number:	
		NY6351-08-0.250	
		Description:	
Drawn By: COURTNEYS06/20/2010		Gauge:	Material: Nylon
		Scale: 5 : 1	