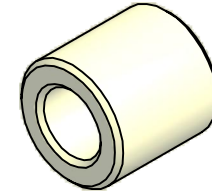
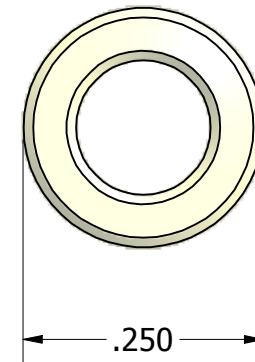
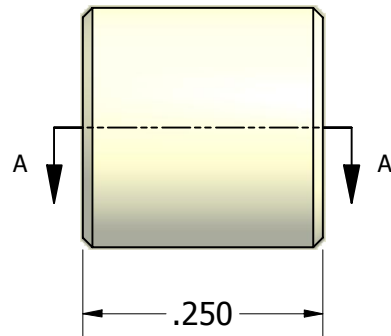


SECTION A-A



ISO SCALE 3 : 1



Tolerances Unless Otherwise Specified:			
.xx Decimal:	± .02		
.xxx Decimal:	± .010	Part Number:	
Fraction:	± 1/64	NY6341-06-0.250	
Angle:	± 2°	Description:	
		1/4 Round Spacer	
Drawn By:	Gauge:	Material:	Scale:
JEFFN 06/19/2010		Nylon	5 : 1