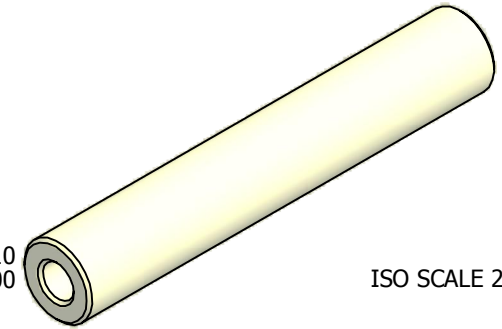
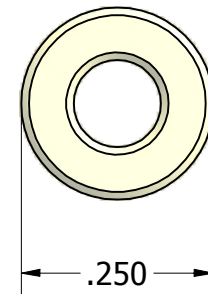
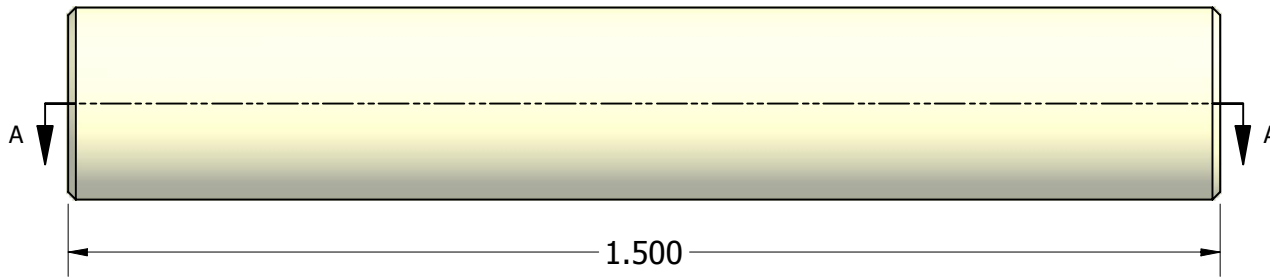


SECTION A-A

$\varnothing.114^{+.010}_{-.000}$



ISO SCALE 2 : 1



Tolerances Unless Otherwise Specified:

**.xx Decimal:**  $\pm .02$   
**.xxx Decimal:**  $\pm .010$   
**Fraction:**  $\pm 1/64$   
**Angle:**  $\pm 2^\circ$

**LYN-TRON, INC.**

Part Number:

**NY6341-04-1.500**

Description:

**1/4 Round Spacer**

Drawn By:

**JEFFN**

**06/19/2010**

Gauge:

Material:

**Nylon**

Scale:

**4 : 1**