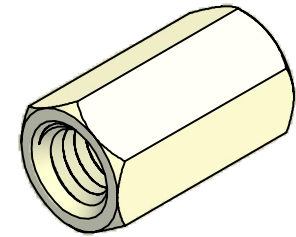
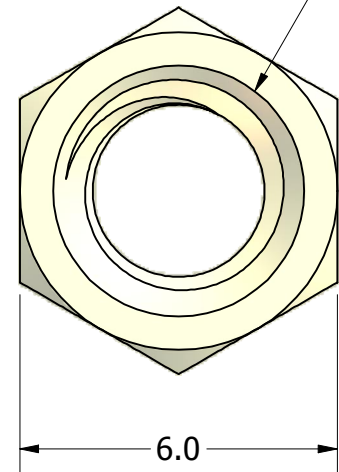
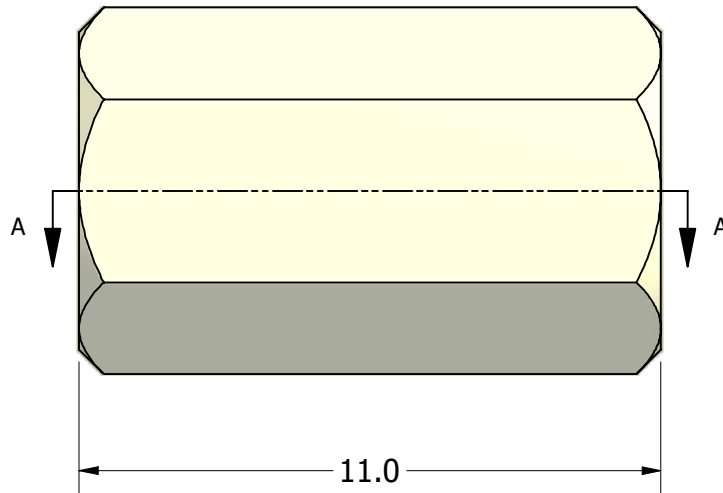


SECTION A-A



ISO SCALE 3 : 1

M4.0x0.7-6H Thru



Tolerances Unless Otherwise Specified:

- .x Decimal:** ± 0.3
- .xx Decimal:** ± .13
- Fraction:** ± 1/64
- Angle:** ± 2°

**LYN-TRON, INC.**

Part Number:

**NY5083-4070-11.0**

Description:

**6mm Hex Standoff**

Drawn By:

**COURTNEYS06/26/2012**

Gauge:

Material:

**Nylon**

Scale:

**7 : 1**