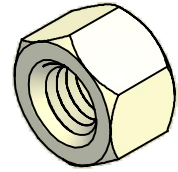
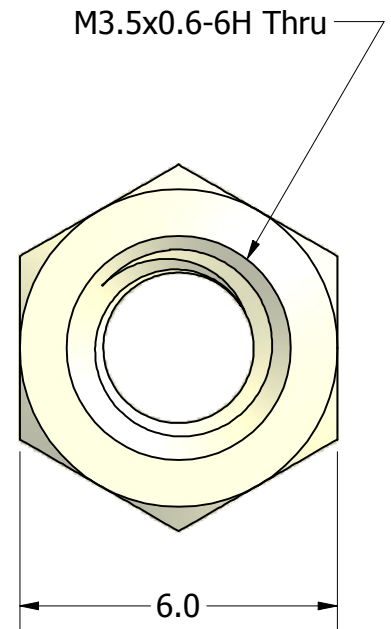
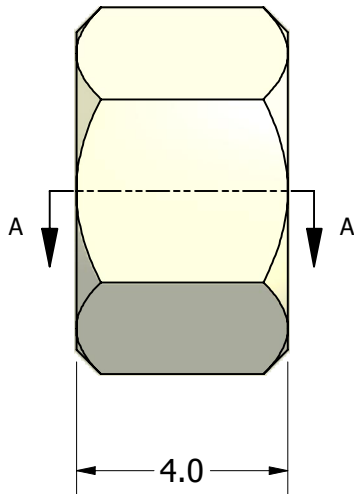


SECTION A-A



ISO SCALE 3 : 1



Tolerances Unless Otherwise Specified:

.x Decimal: ± 0.3
.xx Decimal: ± .13
Fraction: ± 1/64
Angle: ± 2°

LYN-TRON, INC.

Part Number:

NY5083-3560-04.0

Description:

6mm Hex Standoff

Drawn By:

COURTNEYS06/26/2012

Gauge:

Material:

Nylon

Scale:

7 : 1