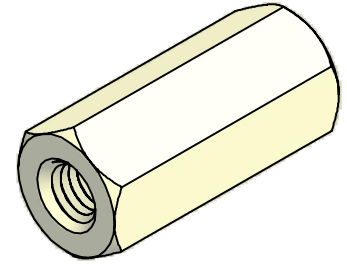
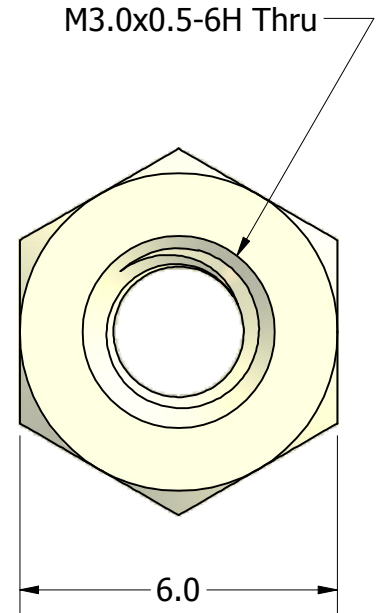
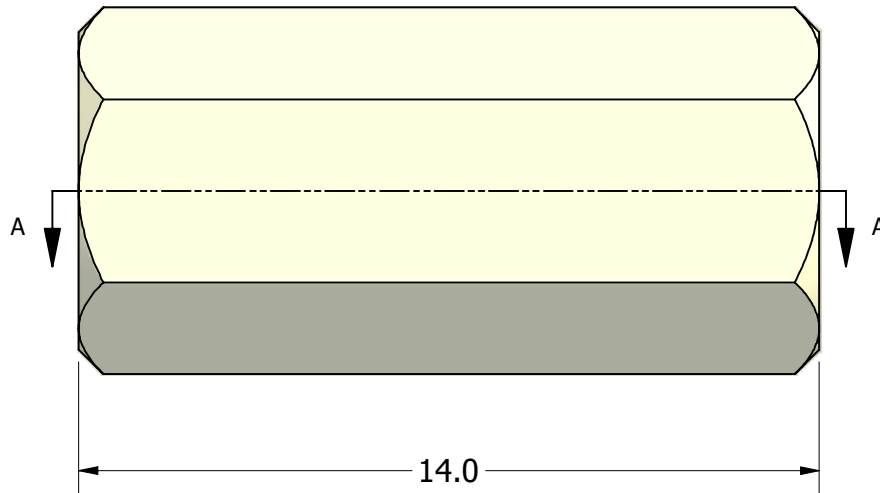


SECTION A-A



ISO SCALE 3 : 1



Tolerances Unless Otherwise Specified:

.x Decimal:  $\pm 0.3$   
 .xx Decimal:  $\pm .13$   
 Fraction:  $\pm 1/64$   
 Angle:  $\pm 2^\circ$

**LYN-TRON, INC.**

Part Number:  
**NY5083-3050-14.0**

Description:  
**6mm Hex Standoff**

Drawn By:  
**COURTNEYS06/26/2012**

Gauge:  
 Material:  
**Nylon**

Scale:  
**7 : 1**