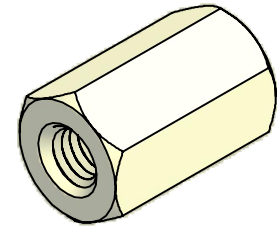
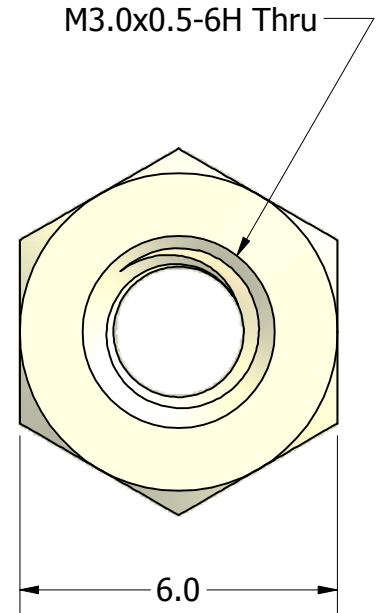
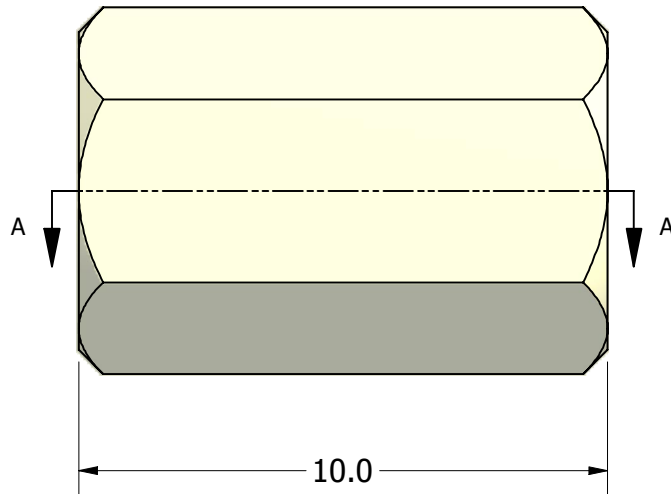


SECTION A-A



ISO SCALE 3 : 1



Tolerances Unless Otherwise Specified:

- .x Decimal:** ± 0.3
- .xx Decimal:** ± .13
- Fraction:** ± 1/64
- Angle:** ± 2°

LYN-TRON, INC.

Part Number:
NY5083-3050-10.0

Description:
6mm Hex Standoff

Drawn By:
COURTNEYS06/26/2012

Gauge:
Nylon

Material:
Nylon

Scale:
7 : 1