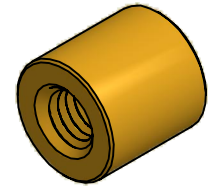
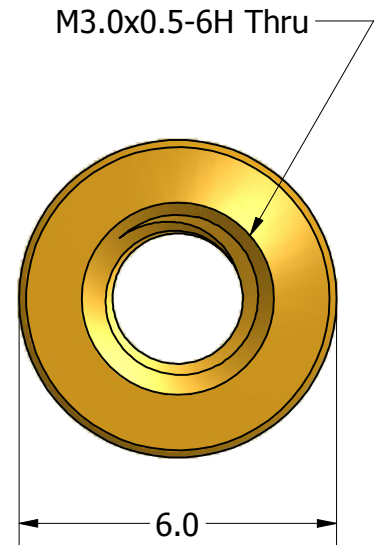
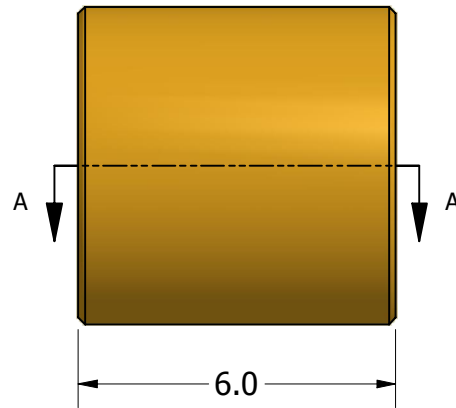


SECTION A-A



ISO SCALE 3 : 1



Tolerances Unless Otherwise Specified:

.x Decimal: ± 0.3
.xx Decimal: ± .13
Fraction: ± 1/64
Angle: ± 2°

LYN-TRON, INC.

Part Number:
NY5071-3050-06.0

Description:
6mm Rnd Standoff

Drawn By:
JEFFN 06/20/2010

Gauge:

Material:
Nylon

Scale:
7 : 1