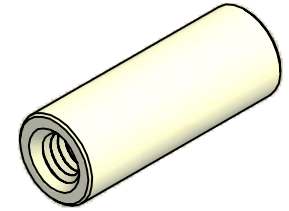
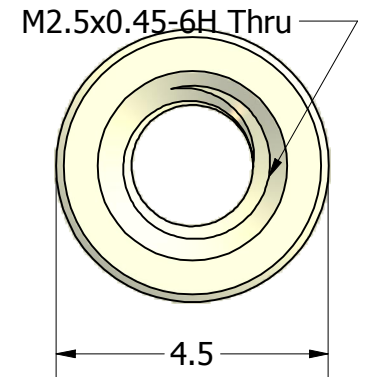
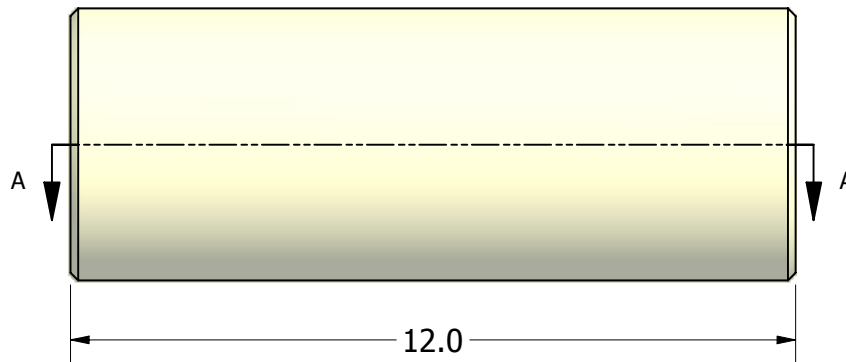


SECTION A-A



ISO SCALE 3 : 1



Tolerances Unless Otherwise Specified:

.x Decimal:  $\pm 0.3$   
 .xx Decimal:  $\pm .13$   
 Fraction:  $\pm 1/64$   
 Angle:  $\pm 2^\circ$

**LYN-TRON, INC.**

Part Number:

**NY5069-2545-12.0**

Description:

**4.5mm Rnd Standoff**

Drawn By:

**COURTNEYS06/24/2010**

Gauge:

Material:

**Nylon**

Scale:

**8 : 1**