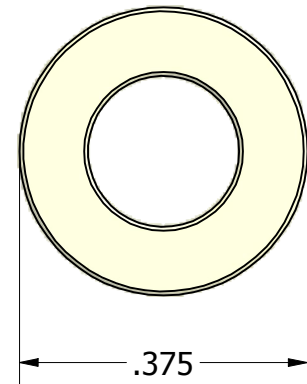
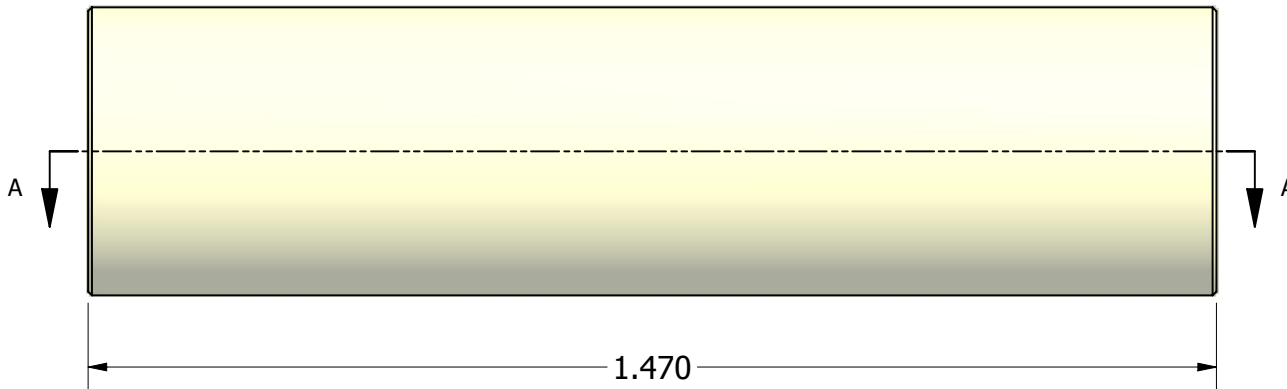


ISO SCALE 2 : 1



Notes:  
 (1) Break all sharp edges

Tolerances Unless Otherwise Specified:

**.xx Decimal:** ± .02  
**.xxx Decimal:** ± .005  
**Fraction:** ± 1/64  
**Angle:** ± 2°

**LYN-TRON, INC.**

Part Number:  
**NAS61-3B-147**

Description:  
**3/8" ROUND SPACER (NYLON)**

Drawn By:  
**RICKZ 11/15/2011**

Gauge:  
**STD**

Material:  
**Nylon**

Scale:  
**4 : 1**