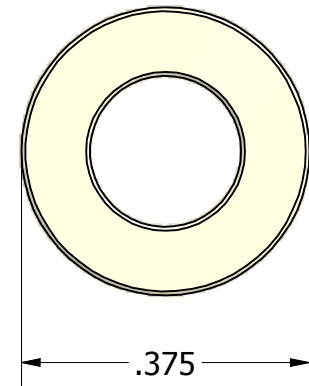
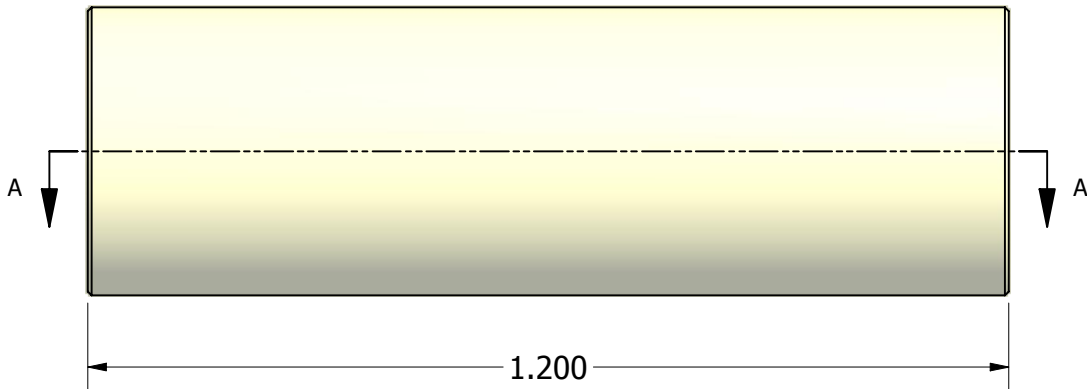


ISO SCALE 2 : 1



Notes:  
 (1) Break all sharp edges

Tolerances Unless Otherwise Specified:

**.xx Decimal:** ± .02  
**.xxx Decimal:** ± .005  
**Fraction:** ± 1/64  
**Angle:** ± 2°

**LYN-TRON, INC.**

Part Number:

**NAS61-3B-120**

Description:

**3/8" ROUND SPACER (NYLON)**

Drawn By:

**RICKZ**

**11/15/2011**

Gauge:

**STD**

Material:

**Nylon**

Scale:

**4 : 1**