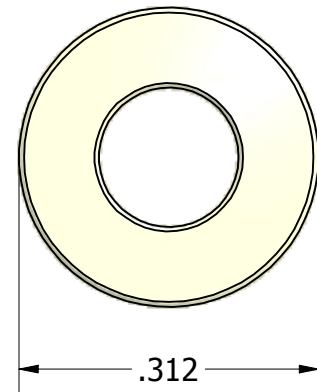
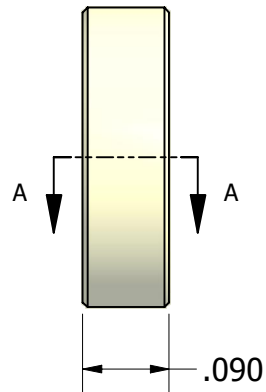


SECTION A-A



ISO SCALE 2 : 1



Notes:  
 (1) Break all sharp edges

Tolerances Unless Otherwise Specified:			
.xx Decimal:	± .02		
.xxx Decimal:	± .005	Part Number:	
Fraction:	± 1/64	<b>NAS61-06B-009</b>	
Angle:	± 2°	Description:	
		<b>5/16" ROUND SPACER (NYLON)</b>	
Drawn By:	Gauge:	Material:	Scale:
<b>RICKZ</b>	<b>12/05/2011</b>	<b>STD</b>	<b>Nylon (6/6)</b>
			<b>5 : 1</b>