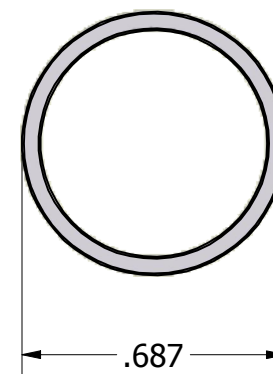
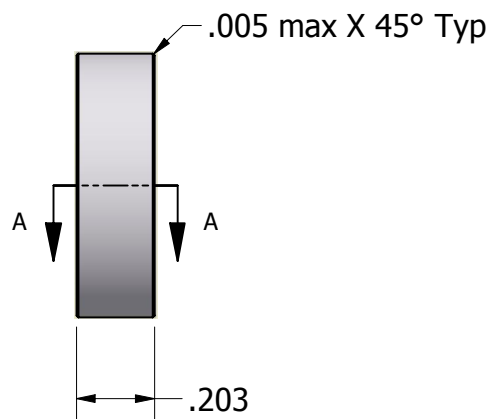


SECTION A-A



ISO SCALE 1 : 1



Finish: NO FINISH
 Spec:
 Type:
 Class:

Tolerances Unless Otherwise Specified:

.xx Decimal: ± .02
 .xxx Decimal: ± .005
 Fraction: ± 1/64
 Angle: ± 2°

LYN-TRON, INC.

Part Number:

NAS43DD9-13A

Description:

11/16" ROUND SPACER (ALUMINUM)

Drawn By:

RICKZ 09/02/2011

Gauge:

Material:

Aluminum 2024-T4

Scale:

2 : 1